

**JUKI®**

**MO-6500S**

**PARTS LIST**






---

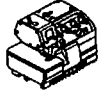




7000113  
No.1586-01

# CONTENTS

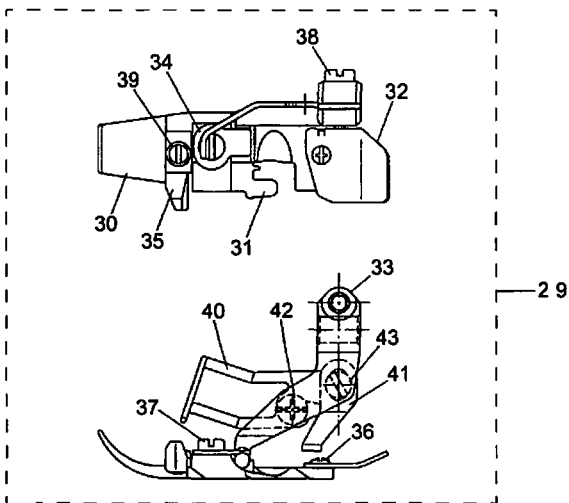
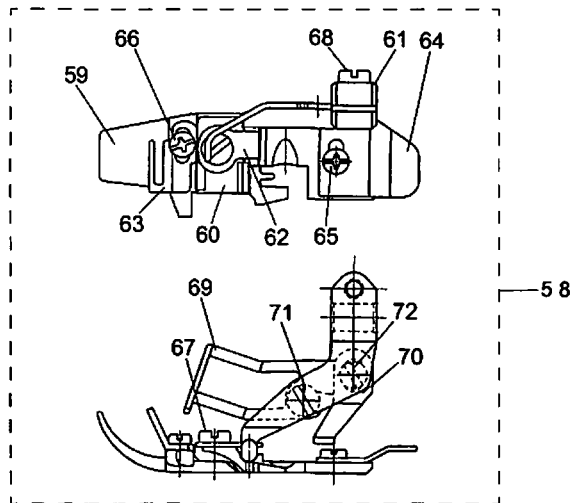
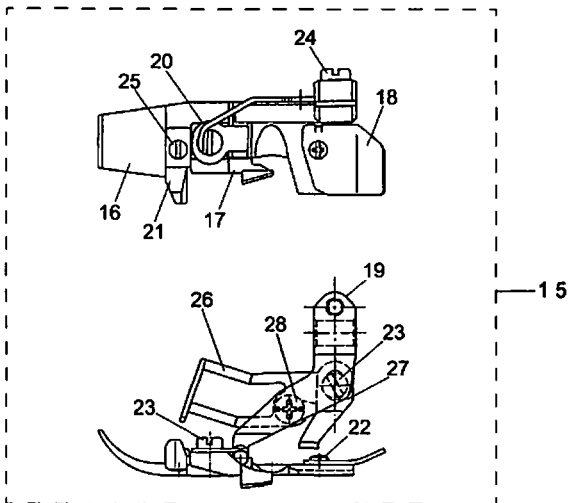
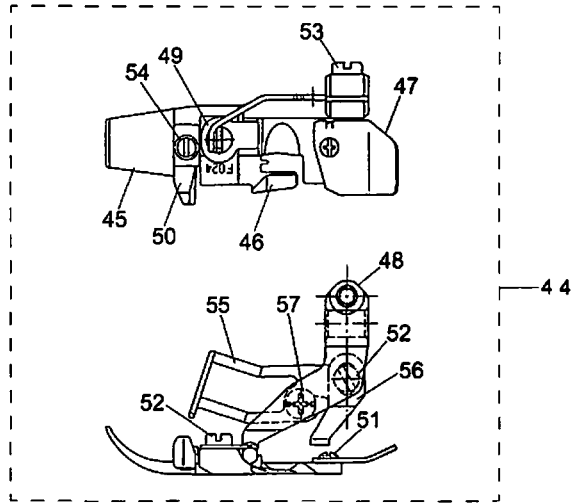
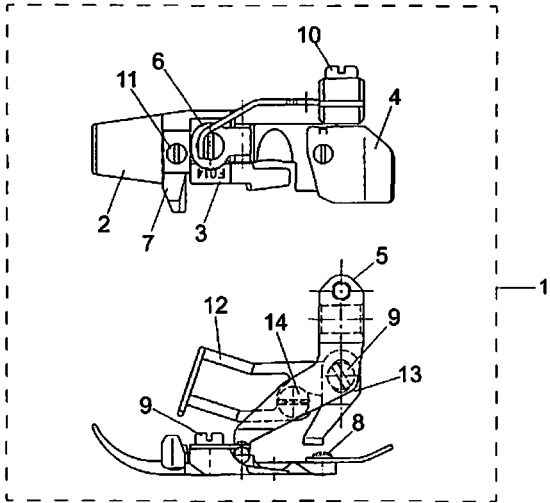
1. MO-6500S GAUGE TABLE.....	1
2. MO-6500S GAUGE TABLE PRESSER FOOT COMPONENTS (1)(OVER).....	2
3. MO-6500S GAUGE TABLE PRESSER FOOT COMPONENTS (2)(INTER).....	4
4. MISCELLANEOUS COVER COMPONENTS (1).....	6
5. MISCELLANEOUS COVER COMPONENTS (2).....	8
6. MISCELLANEOUS COVER COMPONENTS (3).....	10
7. CRANKSHAFT COMPONENTS .....	12
8. NEEDLE DRIVING SHAFT COMPONENTS .....	14
9. THREAD TENSION COMPONENTS .....	16
10. UPPER LOOPER COMPONENTS .....	18
11. LOWER LOOPER COMPONENTS .....	20
12. CHAIN LOOPER COMPONENTS (1)(FOR MO-6516S).....	22
13. CHAIN LOOPER COMPONENTS (2).....	24
14. FEED MECHANISM COMPONENTS (1).....	26
15. FEED MECHANISM COMPONENTS (2).....	28
16. KNIFE COMPONENTS .....	30
17. PRESSER FOOT COMPONENTS .....	32
18. LUBRICATION MECHANISM COMPONENTS .....	34
19. THREAD STAND COMPONENTS (FOR MO-6504S) .....	36
20. THREAD STAND COMPONENTS (FOR MO-6514S) .....	38
21. THREAD STAND COMPONENTS (FOR MO-6516S) .....	40
22. THREAD STAND COMPONENTS (FOR MO-6543S) .....	42
23. SEMI-SUNKEN TYPE TABLE COMPONENTS.....	44
24. FULLY-SUNKEN TYPE TABLE COMPONENTS .....	46
25. ACCESSORIES PARTS COMPONENTS.....	47
26. SPECIAL ORDER PARTS COMPONENTS .....	48
27. PACKING COMPONENTS .....	49
NUMERICAL INDEX OF PARTS.....	50

1. MO-6500S GAUGE TABLE

				
MODEL	NEEDLE PLATE	FEED DOG	FEED DOG	FEED DOG
MO-6504S-0E6-40K	700-00769	700-00778	700-00782	700-00785
MO-6504S-0A4-150	700-00770	700-00779	700-00783	700-00786
MO-6504S-0F6-40K	700-00771	700-00778	700-00784	700-00785
MO-6514S-BE6-20K	700-00818	700-00778	700-00782	700-00785
MO-6514S-BE6-40K	700-00772	700-00778	700-00782	700-00785
MO-6514S-BE6-34K/G43/Q142	700-00772	700-00778	700-00782	700-00785
MO-6514S-BE6-24K/G43/Q142	700-00772	700-00778	700-00782	700-00785
MO-6514S-BE6-20W	700-00818	700-00778	700-00782	700-00785
MO-6514S-BE6-40W	700-00772	700-00778	700-00782	700-00785
MO-6514S-BE7-44W/G43/Q142	700-00773	700-00780	700-00782	700-00787
MO-6516S-DF6-40K	700-00774	700-00781	700-00782	700-00788
MO-6516S-FF6-40K	700-00775	700-00781	700-00782	700-00789
MO-6543S-2E6-40K	700-00776	700-00781	700-00782	700-00789
MO-6543S-1E6-40K	700-00777	700-00781	700-00782	700-00789

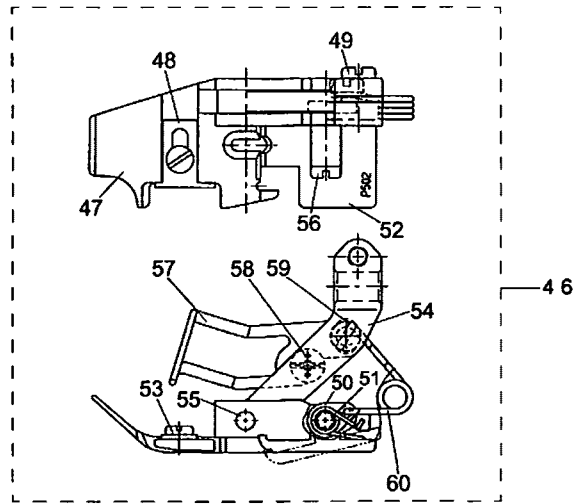
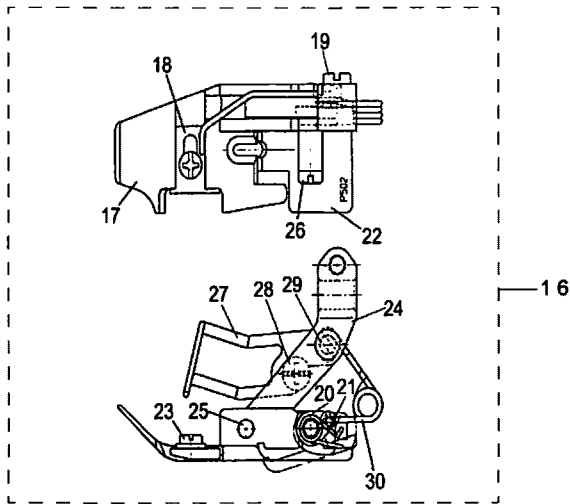
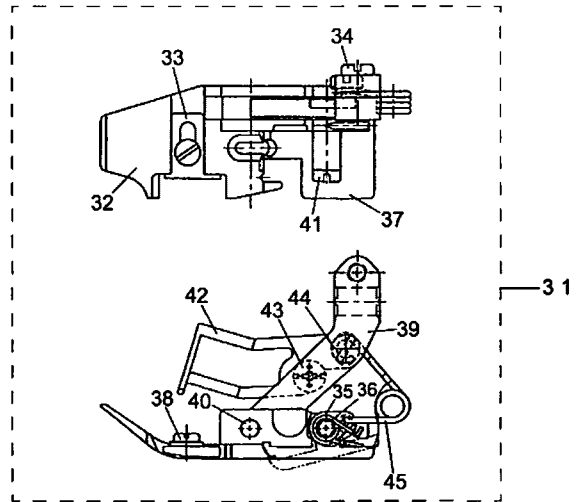
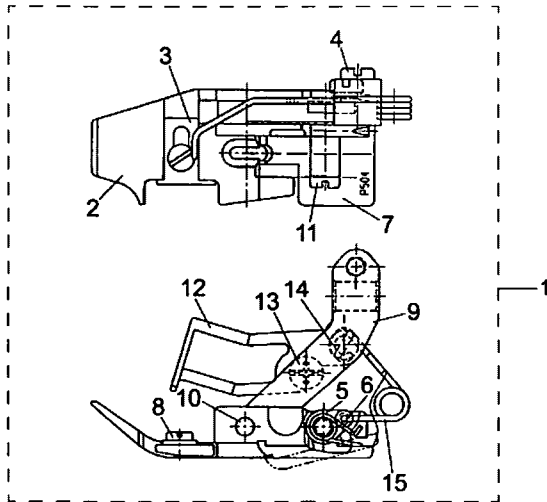
				
MODEL	PRESSER FOOT	LOOPER	NEEDLE CLAMP	NEEDLE
MO-6504S-0E6-40K	700-00790	700-00798	700-00801	DCX27#11
MO-6504S-0A4-150	700-00791	700-00798	700-00801	DCX27#8
MO-6504S-0F6-40K	700-00790	700-00798	700-00801	DCX27#11
MO-6514S-BE6-20K	700-00819	700-00238	700-00802	DCX27#9X2
MO-6514S-BE6-40K	700-00792	700-00238	700-00802	DCX27#11X2
MO-6514S-BE6-34K/G43/Q142	700-00793	700-00238	700-00802	DCX27#11X2
MO-6514S-BE6-24K/G43/Q142	700-00793	700-00238	700-00802	DCX27#9X2
MO-6514S-BE6-20W	700-00819	700-00800	700-00802	DCX27#9X2
MO-6514S-BE6-40W	700-00792	700-00799	700-00802	DCX27#11X2
MO-6514S-BE7-44W/G43/Q142	700-00793	700-00800	700-00802	DCX27#14X2
MO-6516S-DF6-40K	700-00794	700-00238	700-00803	DCX27#14X2
MO-6516S-FF6-40K	700-00795	700-00238	700-00804	DCX27#14X2
MO-6543S-2E6-40K	700-00796	700-00238	700-00805	DCX27#11X3
MO-6543S-1E6-40K	700-00797	700-00238	700-00806	DCX27#11X3

2. MO-6500S GAUGE TABLE PRESSER FOOT COMPONENTS (1)(OVER)



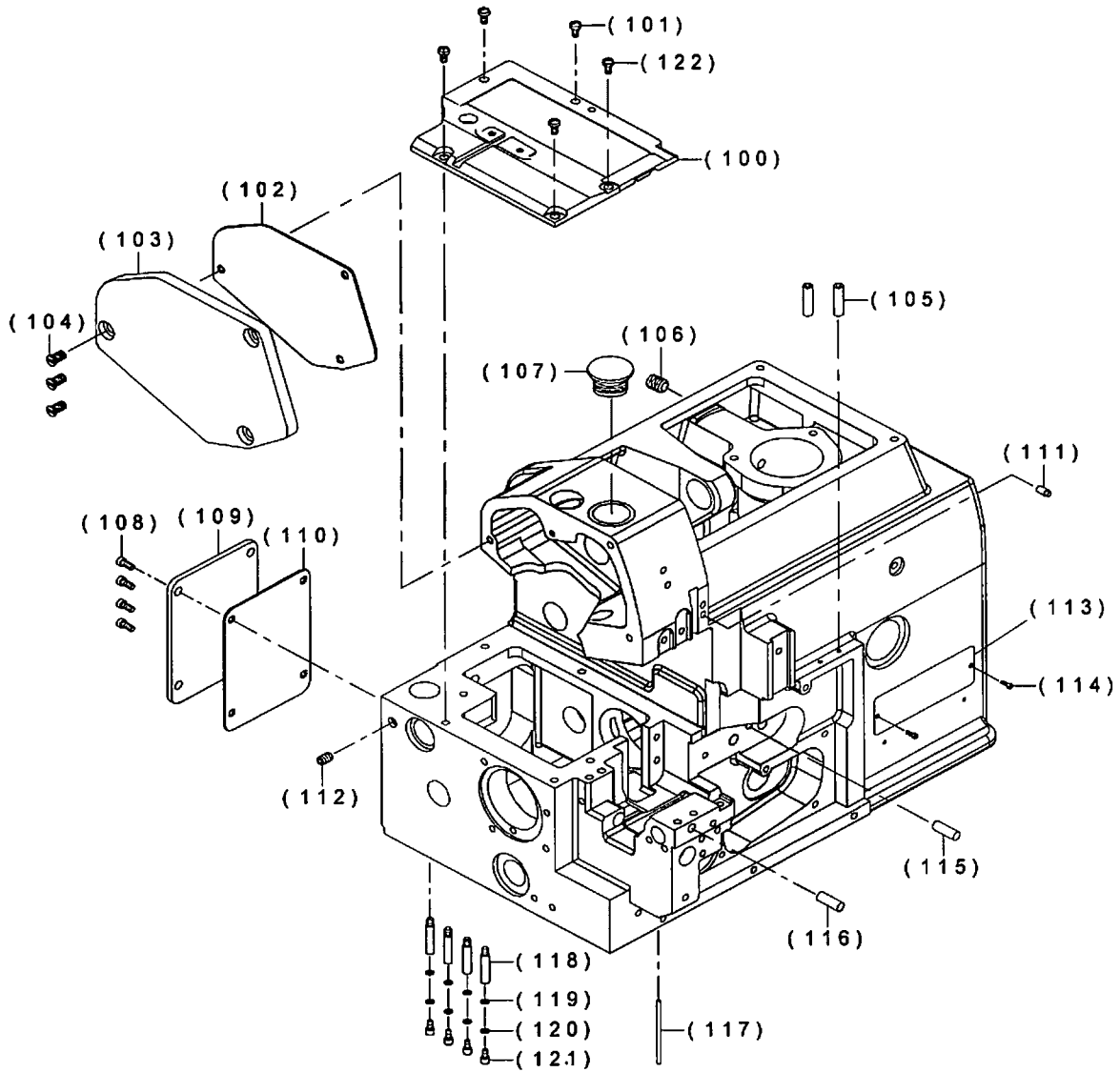
REF.NO	NOTE	PART NO	DESCRIPTION	Qty
1		700-00790	PRESSER FOOT ASM.	1
2		700-00868	PRESSER FOOT	(1)
3		700-00855	STITCH TONGUE	(1)
4		700-00862	REAR PRESSER FOOT	(1)
5		700-00859	PRESSER FOOT HINGE	(1)
6		700-00860	SPRING	(1)
7		700-00861	CURL GUARD	(1)
8		700-00879	E_SCREW	(1)
9		700-00500	E_SCREW	(2)
10		700-00505	E_SCREW	(1)
11		700-00877	E_SCREW	(1)
12		700-00735	NEEDLE GUARD	(1)
13		700-00304	FIXED PLATE	(1)
14		700-00538	E_SCREW	(1)
15		700-00791	PRESSER FOOT ASM.	1
16		700-00869	PRESSER FOOT	(1)
17		700-00857	STITCH TONGUE	(1)
18		700-00862	REAR PRESSER FOOT	(1)
19		700-00859	PRESSER FOOT HINGE	(1)
20		700-00860	SPRING	(1)
21		700-00861	CURL GUARD	(1)
22		700-00879	E_SCREW	(1)
23		700-00500	E_SCREW	(2)
24		700-00505	E_SCREW	(1)
25		700-00877	E_SCREW	(1)
26		700-00735	NEEDLE GUARD	(1)
27		700-00304	FIXED PLATE	(1)
28		700-00538	E_SCREW	(1)
29		700-00792	PRESSER FOOT ASM.	1
30		700-00869	PRESSER FOOT	(1)
31		700-00862	STITCH TONGUE	(1)
32		700-00862	REAR PRESSER FOOT	(1)
33		700-00859	PRESSER FOOT HINGE	(1)
34		700-00860	SPRING	(1)
35		700-00861	CURL GUARD	(1)
36		700-00879	E_SCREW	(1)
37		700-00500	E_SCREW	(1)
38		700-00505	E_SCREW	(1)
39		700-00877	E_SCREW	(1)
40		700-00735	NEEDLE GUARD	(1)
41		700-00304	FIXED PLATE	(1)
42		700-00538	E_SCREW	(1)
43		700-00500	E_SCREW	(1)
44		700-00819	PRESSER FOOT ASM.	1
45		700-00868	PRESSER FOOT	(1)
46		700-00891	STITCH TONGUE	(1)
47		700-00862	REAR PRESSER FOOT	(1)
48		700-00859	PRESSER FOOT HINGE	(1)
49		700-00860	SPRING	(1)
50		700-00861	CURL GUARD	(1)
51		700-00879	E_SCREW	(1)
52		700-00500	E_SCREW	(2)
53		700-00505	E_SCREW	(1)
54		700-00877	E_SCREW	(1)
55		700-00735	NEEDLE GUARD	(1)
56		700-00304	FIXED PLATE	(1)
57		700-00538	E_SCREW	(1)
58		700-00793	PRESSER FOOT ASM.	1
59		700-00872	PRESSER FOOT	(1)
60		700-00856	STITCH TONGUE	(1)
61		700-00859	PRESSER FOOT HINGE	(1)
62		700-00860	SPRING	(1)
63		700-00881	TAPE GUIDE	(1)
64		700-00864	REAR PRESSER FOOT	(1)
65		700-00880	E_SCREW	(1)
66		700-00498	E_SCREW	(1)
67		700-00500	E_SCREW	(1)
68		700-00505	E_SCREW	(1)
69		700-00735	NEEDLE GUARD	(1)
70		700-00304	FIXED PLATE	(1)
71		700-00538	E_SCREW	(1)
72		700-00500	E_SCREW	(1)

3. MO-6500S GAUGE TABLE PRESSER FOOT COMPONENTS (2)(INTER)



REF.NO	NOTE	PART NO	DESCRIPTION	Qty
1		700-00794	PRESSER FOOT ASM.	1
2		700-00875	PRESSER FOOT	(1)
3		700-00480	THREAD GUIDE PLATE	(1)
4		700-00505	E_SCREW	(1)
5		700-00419	LEVER	(1)
6		700-00609	SPRING	(1)
7		700-00874	REAR PRESSER FOOT	(1)
8		700-00496	E_SCREW	(1)
9		700-00420	PRESSER FOOT LIFTING LEVER	(1)
10		700-00537	E_SCREW	(1)
11		700-00499	E_SCREW	(1)
12		700-00735	NEEDLE GUARD	(1)
13		700-00538	E_SCREW	(1)
14		700-00500	E_SCREW	(1)
15		700-00606	SPRING	(1)
16		700-00795	PRESSER FOOT ASM.	1
17		700-00890	PRESSER FOOT	(1)
18		700-00480	THREAD GUIDE PLATE	(1)
19		700-00505	E_SCREW	(1)
20		700-00419	LEVER	(1)
21		700-00609	SPRING	(1)
22		700-00874	REAR PRESSER FOOT	(1)
23		700-00496	E_SCREW	(1)
24		700-00863	PRESSER FOOT HINGE	(1)
25		700-00537	E_SCREW	(1)
26		700-00499	E_SCREW	(1)
27		700-00735	NEEDLE GUARD	(1)
28		700-00538	E_SCREW	(1)
29		700-00500	E_SCREW	(1)
30		700-00606	SPRING	(1)
31		700-00795	PRESSER FOOT ASM.	1
32		700-00870	PRESSER FOOT	(1)
33		700-00480	THREAD GUIDE PLATE	(1)
34		700-00505	E_SCREW	(1)
35		700-00419	LEVER	(1)
36		700-00609	SPRING	(1)
37		700-00871	REAR PRESSER FOOT	(1)
38		700-00496	E_SCREW	(1)
39		700-00420	PRESSER FOOT LIFTING LEVER	(1)
40		700-00537	E_SCREW	(1)
41		700-00499	E_SCREW	(1)
42		700-00735	NEEDLE GUARD	(1)
43		700-00538	E_SCREW	(1)
44		700-00500	E_SCREW	(1)
45		700-00606	SPRING	(1)
46		700-00797	PRESSER FOOT ASM.	1
47		700-00873	PRESSER FOOT	(1)
48		700-00480	THREAD GUIDE PLATE	(1)
49		700-00505	E_SCREW	(1)
50		700-00419	LEVER	(1)
51		700-00609	SPRING	(1)
52		700-00874	REAR PRESSER FOOT	(1)
53		700-00496	E_SCREW	(1)
54		700-00863	PRESSER FOOT HINGE	(1)
55		700-00537	E_SCREW	(1)
56		700-00499	E_SCREW	(1)
57		700-00735	NEEDLE GUARD	(1)
58		700-00538	E_SCREW	(1)
59		700-00500	E_SCREW	(1)
60		700-00606	SPRING	(1)

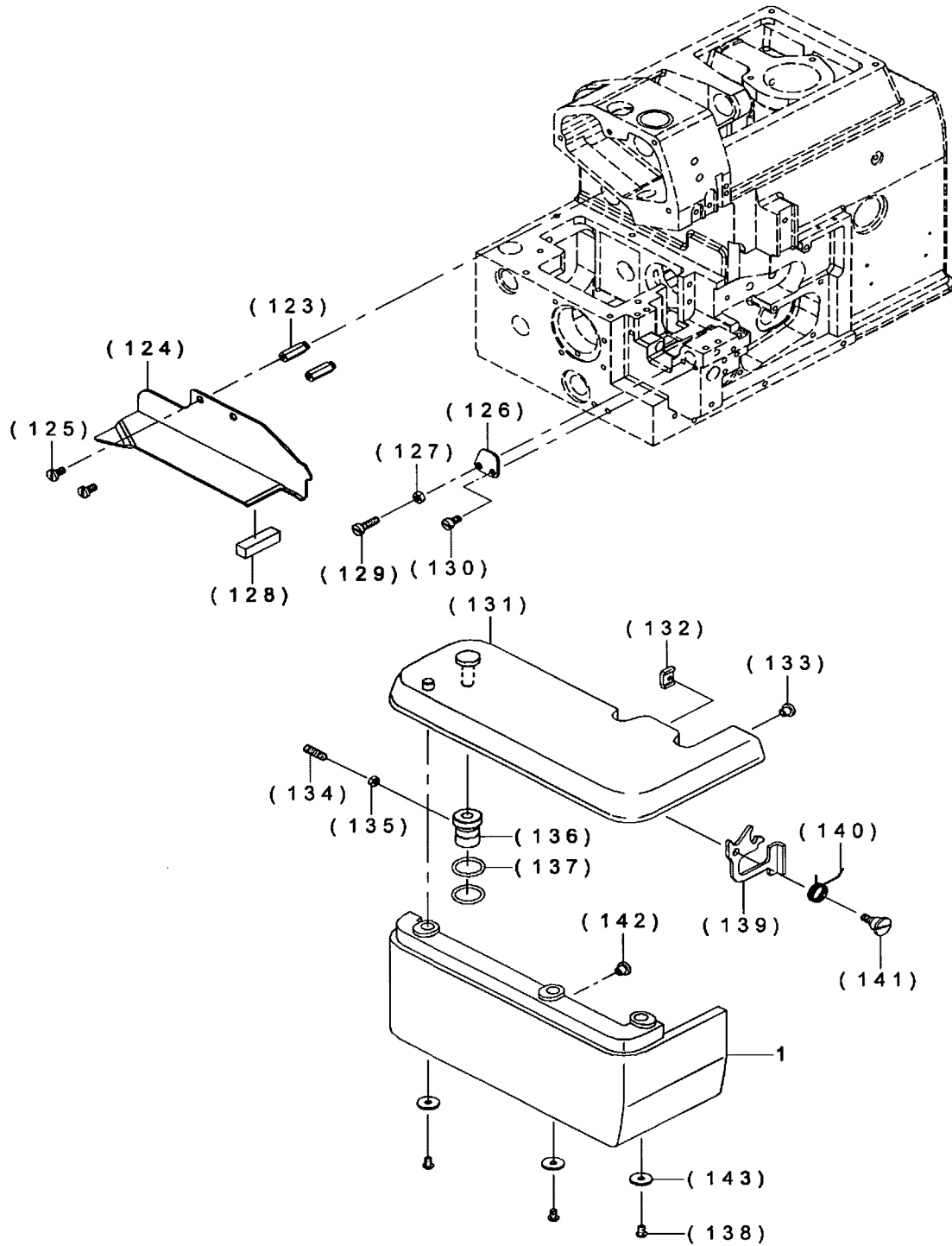
4. MISCELLANEOUS COVER COMPONENTS (1)





REF.NO	NOTE	PART NO	DESCRIPTION	Qty
(100)	-	-	COVER	1
(101)	-	-	E_SCREW	2
(102)	-	-	METAL FOAM GASKET	1
(103)	-	-	SIDE COVER	1
(104)	-	-	E_SCREW	3
(105)	-	-	DUCT	2
(106)	-	-	M_SCREW	1
(107)	-	-	RUBBER PLUG	1
(108)	-	-	E_SCREW	4
(109)	-	-	COVER	1
(110)	-	-	METAL FOAM GASKET	1
(111)	-	-	PIN	1
(112)	-	-	E_SCREW	1
(113)	-	-	NAME PLATE	1
(114)	-	-	RIVET	2
(115)	-	-	PIN	1
(116)	-	-	PIN	1
(117)	-	-	PIN	1
(118)	-	-	E_SCREW	4
(119)	-	-	WASHER	4
(120)	-	-	WASHER	4
(121)	-	-	E_SCREW	4
(122)	-	-	E_SCREW	3

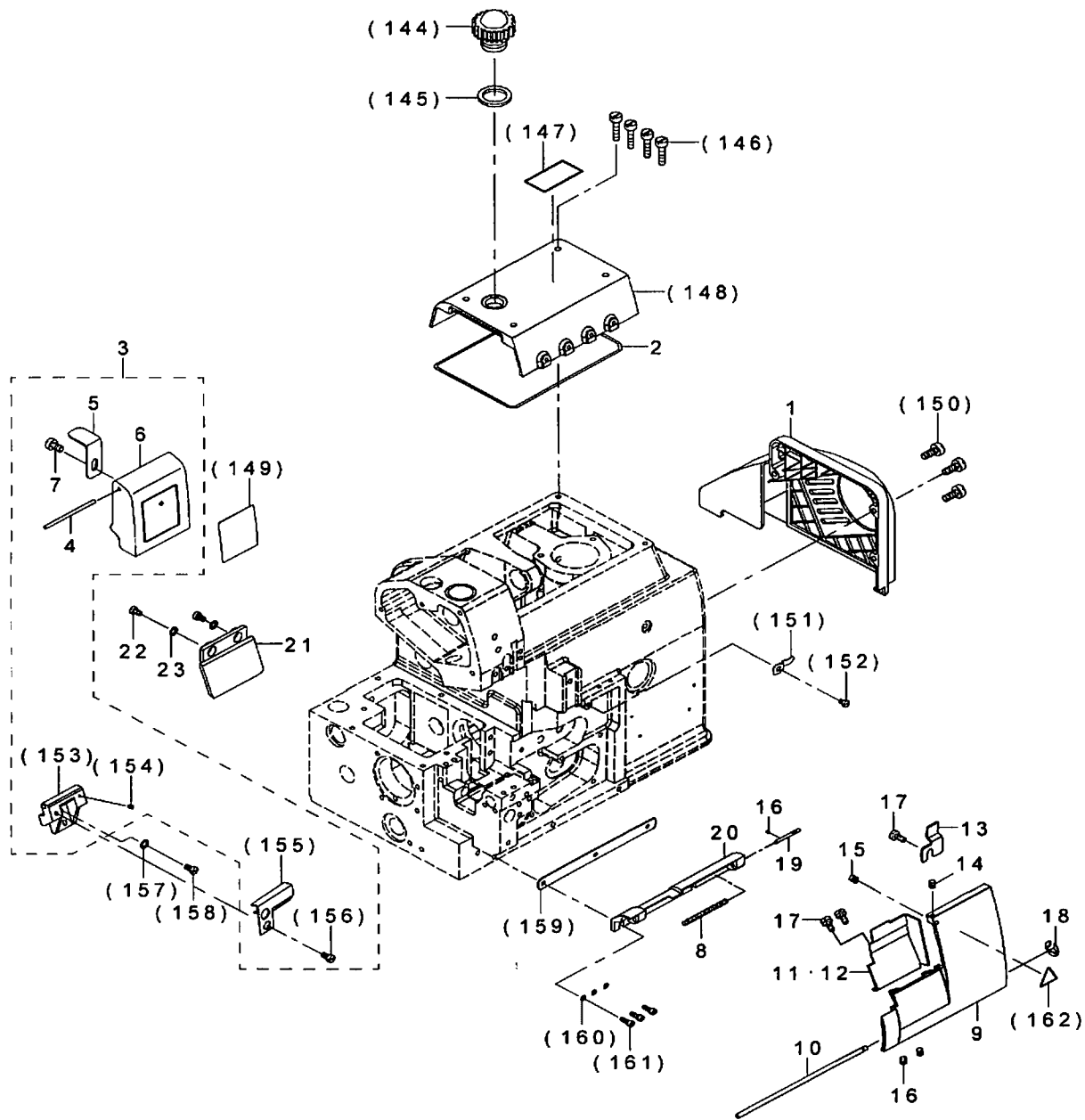
5. MISCELLANEOUS COVER COMPONENTS (2)



REF.NO	NOTE	PART NO	DESCRIPTION	Qty
1		700-00489	SIDE COVER	1
(123)	-	-	SCREW	2
(124)	-	-	FABRIC GUIDE	1
(125)	-	-	E_SCREW	2
(126)	-	-	FIXED PLATE	1
(127)	-	-	NUT	1
(128)	-	-	SPONGY CUSHION	1
(129)	-	-	E_SCREW	1
(130)	-	-	E_SCREW	1
(131)	-	-	FABRIC PLATE COVER	1
(132)	-	-	FIXED SEAT	1
(133)	-	-	RUBBER PLUG	1
(134)	-	-	E_SCREW	1
(135)	-	-	NUT	1
(136)	-	-	BUSHING	1
(137)	-	-	O-RING	2
(138)	-	-	M_SCREW	3
(139)	-	-	LEVER	1
(140)	-	-	SPRING	1
(141)	-	-	E_SCREW	1
(142)	-	-	RUBBER PLUG	1
(143)	-	-	WASHER	3

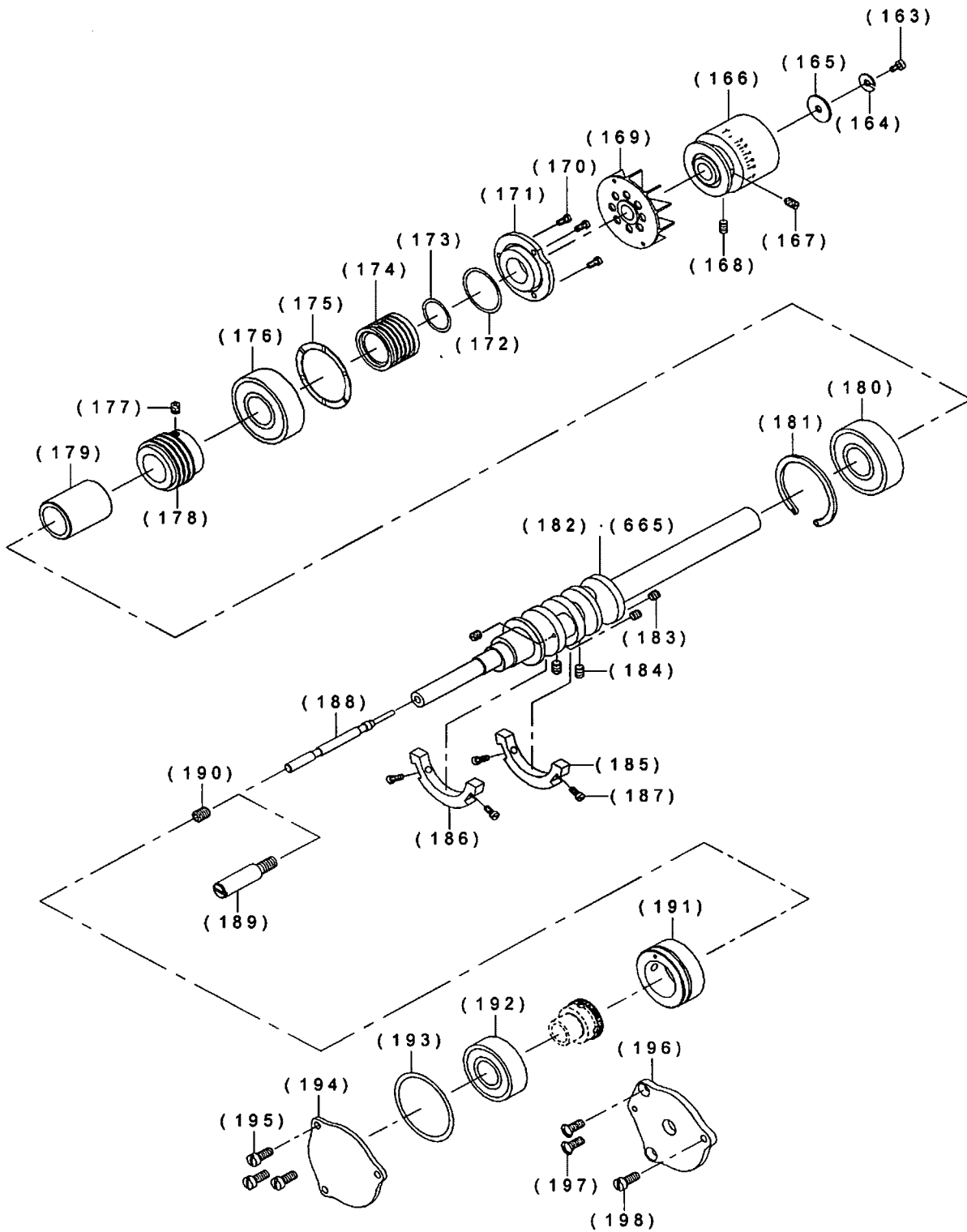
6. MISCELLANEOUS COVER COMPONENTS (3)

MODEL	04/14	16/43
PARTS NO	11	12



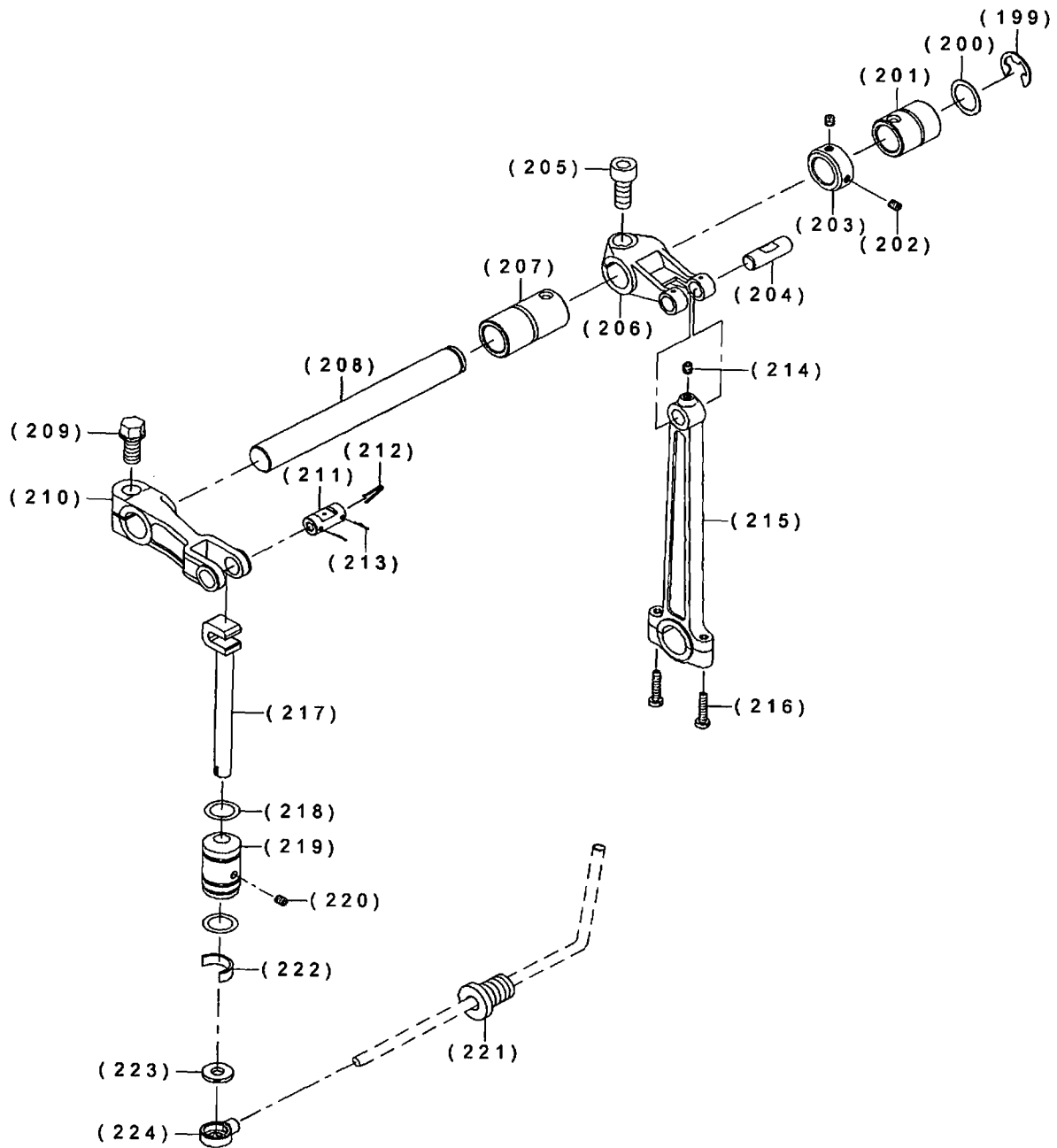
REF.NO	NOTE	PART NO	DESCRIPTION	Qty
1		700-00702	MOTOR COVER	1
2		700-00222	O-RING	1
3		700-00725	FIXED SEAT ASM.	1
4		700-00727	SHAFT	(1)
5		700-00723	SPRING PLATE	(1)
6		700-00724	PROTECTING COVER	(1)
7		700-00506	E_SCREW	(1)
8		700-00597	SPRING	1
9		700-00742	FRONT COVER	1
10		700-00746	SHAFT	1
11		700-00481	FRONT COVER	1
12		700-00820	FRONT COVER	1
13		700-00744	RETAINING CLIP	1
14		700-00569	M_SCREW	1
15		700-00570	M_SCREW	1
16		700-00573	M_SCREW	3
17		700-00577	M_SCREW	3
18		700-00131	E_CIRCLIPS	1
19		700-00660	PIN	1
20		700-00747	FIXED SEAT	1
21		700-00722	EYE PROTECTION PLATE	1
22		700-00551	E_SCREW	2
23		700-00366	WASHER	2
(144)		-	OIL LEVEL INSPECTION LENS	1
(145)		-	GASKET	1
(146)		-	E_SCREW	4
(147)		-	LABEL	1
(148)		-	TOP COVER	1
(149)		-	NAME PLATE	1
(150)		-	E_SCREW	3
(151)		-	GUIDE PLATE	1
(152)		-	E_SCREW	1
(153)		-	FIXED SEAT	(1)
(154)		-	E_SCREW	(1)
(155)		-	PARTITION	(1)
(156)		-	E_SCREW	(1)
(157)		-	WASHER	1
(158)		-	E_SCREW	1
(159)		-	OIL PROOF PAPER GASKET	1
(160)		-	WASHER	3
(161)		-	E_SCREW	3
(162)		-	LABEL	1

## 7. CRANKSHAFT COMPONENTS



REF.NO	NOTE	PART NO	DESCRIPTION	Qty
(163)	-	-	M_SCREW	1
(164)	-	-	WASHER	1
(165)	-	-	GASKET	1
(166)	-	-	HAND WHEEL	1
(167)	-	-	E_SCREW	1
(168)	-	-	E_SCREW	1
(169)	-	-	FAN BLADE	1
(170)	-	-	E_SCREW	3
(171)	-	-	SIDE COVER	1
(172)	-	-	O-RING	1
(173)	-	-	O-RING	1
(174)	-	-	WORM WHEEL	1
(175)	-	-	WASHER	1
(176)	-	-	BEARING	1
(177)	-	-	E_SCREW	1
(178)	-	-	WORM WHEEL	1
(179)	-	-	SHAFT	1
(180)	-	-	BEARING	1
(181)	-	-	STOP RING	1
(182)	-	-	MAIN SHAFT	1
(183)	-	-	E_SCREW	3
(184)	-	-	E_SCREW	2
(185)	-	-	BALANCE BLOCK	1
(186)	-	-	BALANCE BLOCK	1
(187)	-	-	E_SCREW	4
(188)	-	-	SHAFT	1
(189)	-	-	FASTENER PIN	1
(190)	-	-	SCREW	1
(191)	-	-	BUSHING	1
(192)	-	-	BEARING	1
(193)	-	-	O-RING	1
(194)	-	-	BEARING COVER	1
(195)	-	-	E_SCREW	3
(196)	-	-	BEARING COVER	1
(197)	-	-	E_SCREW	2
(198)	-	-	E_SCREW	1
(665)	-	-	MAIN SHAFT	1

## 8. NEEDLE DRIVING SHAFT COMPONENTS

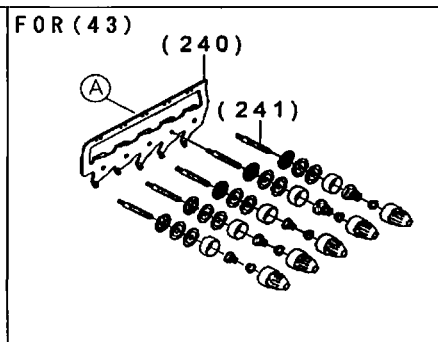
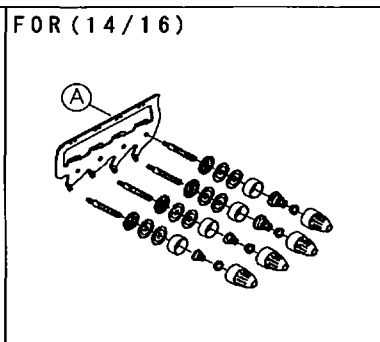
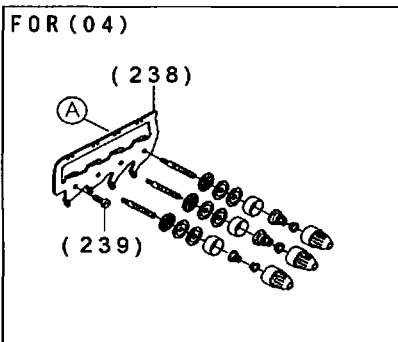
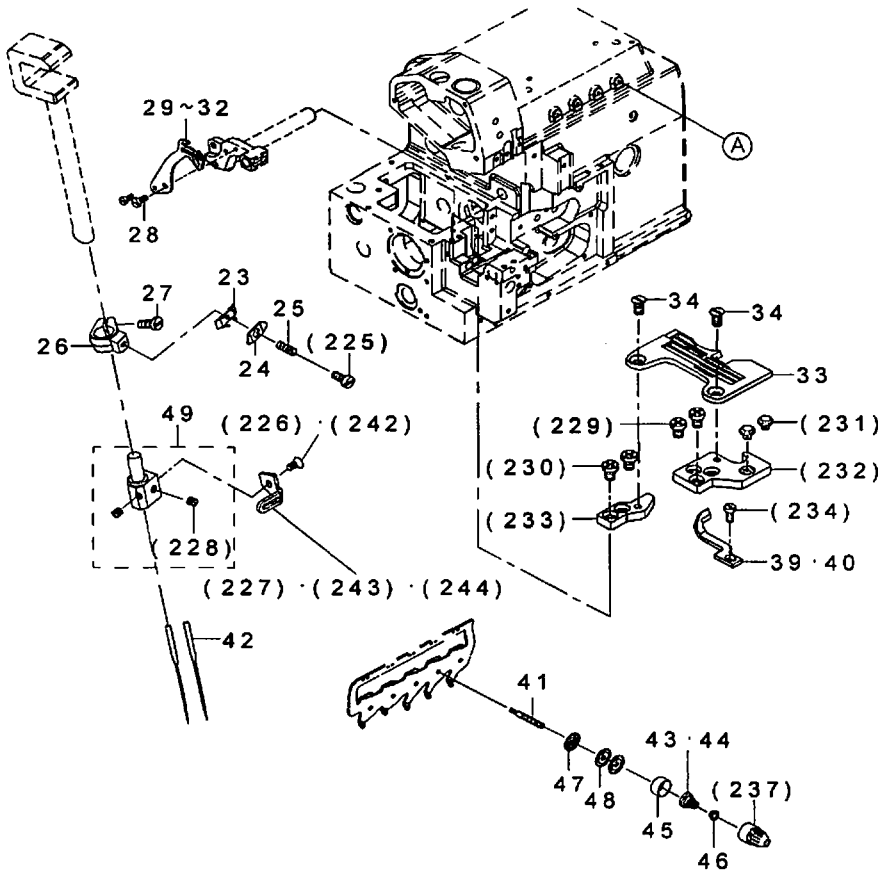
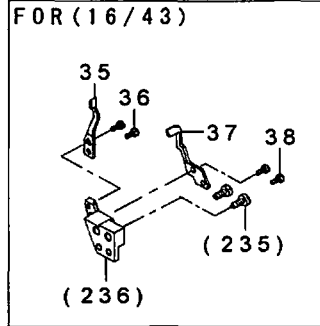
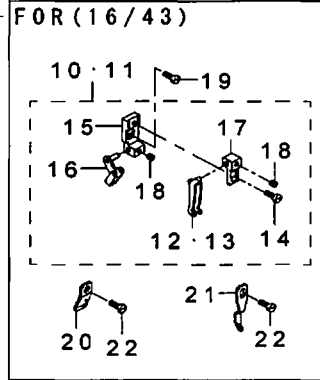
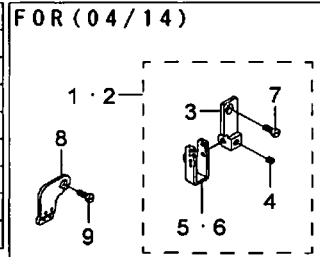




REF.NO	NOTE	PART NO	DESCRIPTION	Qty
(199)	-		E_CIRCLIPS	1
(200)	-		WASHER	1
(201)	-		BUSHING	1
(202)	-		E_SCREW	2
(203)	-		COLLAR	1
(204)	-		PIN	1
(205)	-		M_SCREW	1
(206)	-		NEEDLE BAR ROCKER	1
(207)	-		BUSHING	1
(208)	-		ARBOR	1
(209)	-		M_SCREW	1
(210)	-		CONNECTING ROD	1
(211)	-		SHAFT	1
(212)	-		OIL WICK	1
(213)	-		OIL YARN	2
(214)	-		E_SCREW	1
(215)	-		CONNECTING ROD	1
(216)	-		M_SCREW	2
(217)	-		NEEDLE BAR	1
(218)	-		O-RING	2
(219)	-		BUSHING	1
(220)	-		E_SCREW	1
(221)	-		PLUG	1
(222)	-		OIL FELT	1
(223)	-		OIL FELT	1
(224)	-		PLUG	1

### 9. THREAD TENSION COMPONENTS

MODEL	04	14	16	43
PARTS NO	20	8	20	8
	6	5	12	13
	30	29	31	32
	39	39	40	40
	4	4	18	18
	9	9	22	22
	7	7	14+19	14+19
	1	2	10	11
	(226)	(226)	(242)	(242)
	(227)	(243)	(244)	(244)

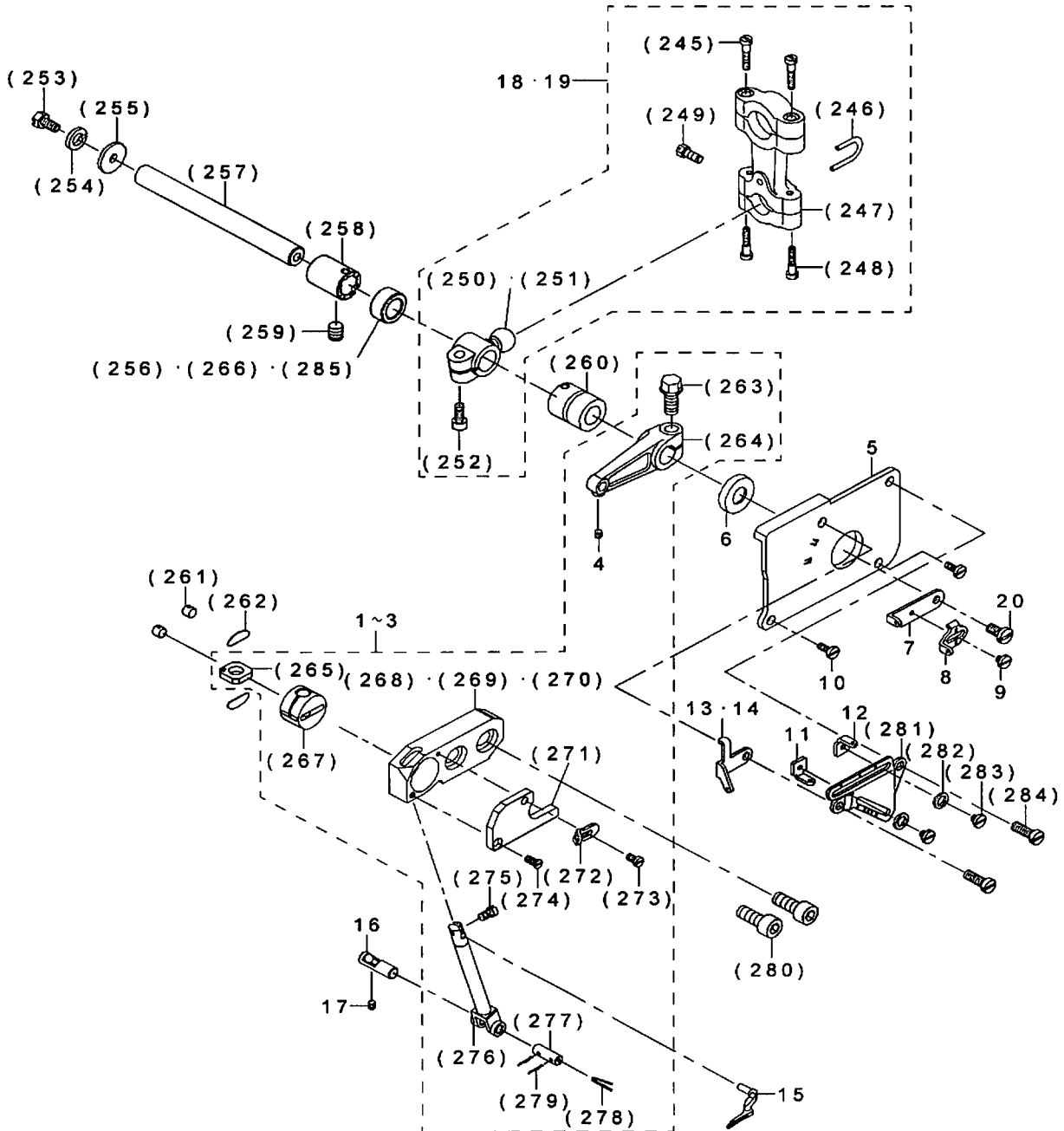


REF.NO	NOTE	PART NO	DESCRIPTION	Qty
1		700-00173	FIXED PLATE ASM.	1
2		700-00832	FIXED PLATE ASM.	1
3		700-00164	FIXED PLATE	(1)
4		700-00498	E_SCREW	(1)
5		700-00165	THREAD GUIDE PLATE	(1)
6		700-00822	THREAD GUIDE PLATE	(1)
7		700-00549	E_SCREW	(1)
8		700-00163	THREAD CROSSING	1
9		700-00513	E_SCREW	1
10		700-00174	FIXED SEAT ASM.	1
11		700-00833	FIXED SEAT ASM.	1
12		700-00170	THREAD GUIDE PLATE	(1)
13		700-00823	THREAD GUIDE PLATE	(1)
14		700-00559	E_SCREW	(1)
15		700-00171	FIXED SEAT	(1)
16		700-00166	THREAD GUIDE PLATE	(1)
17		700-00169	FIXED BLOCK	(1)
18		700-00498	E_SCREW	(2)
19		700-00555	E_SCREW	1
20		700-00167	THREAD GUIDE PLATE	1
21		700-00168	THREAD GUIDE PLATE	1
22		700-00513	E_SCREW	2
23		700-00626	THREAD GRIP	1
24		700-00627	THREAD GRIP	1
25		700-00598	SPRING	1
26		700-00652	CRAMP	1
27		700-00572	E_SCREW	1
28		700-00505	E_SCREW	2
29		700-00210	THREAD TAKE-UP LEVER	1
30		700-00824	THREAD TAKE-UP LEVER	1
31		700-00825	THREAD TAKE-UP LEVER	1
32		700-00826	THREAD TAKE-UP LEVER	1
33	#01	*****	NEEDLE PLATE	1
34		700-00516	E_SCREW	2
35		700-00336	NEEDLE GUARD	1
36		700-00497	E_SCREW	2
37		700-00335	NEEDLE GUARD	1
38		700-00497	E_SCREW	2
39		700-00469	NEEDLE GUARD	1
40		700-00827	NEEDLE GUARD	1
41		700-00214	THREAD TENSION SHAFT	1
42	#01	*****	NEEDLE	1
43		700-00211	SPRING HARD	1
44		700-00851	SPRING SOFT	1
45		700-00204	SLEEVE	1
46		700-00212	FIXED RING	1
47		700-00213	OIL FELT	1
48		700-00203	THREAD GRIP	2
49	#01	*****	NEEDLE CLAMP ASM.	1
(225)		-	M_SCREW	1
(226)		-	M_SCREW	1
(227)		-	THREAD CROSSING	1
(228)	#02	-	E_SCREW	(1)
(229)		-	E_SCREW	2
(230)		-	E_SCREW	2
(231)		-	RUBBER PLUG	2
(232)		-	NEEDLE PLATE BRACKET	1
(233)		-	NEEDLE PLATE BRACKET	1
(234)		-	E_SCREW	1
(235)		-	E_SCREW	2
(236)		-	NEEDLE GUARD	1
(237)	#02	-	THREAD TENSION KNOB	1
(238)		-	THREAD GUIDE PLATE	1
(239)		-	E_SCREW	1
(240)		-	THREAD GUIDE PLATE	1
(241)		-	THREAD TENSION SHAFT	1
(242)		-	M_SCREW	1
(243)		-	THREAD CROSSING	1
(244)		-	THREAD CROSSING	1

NOTE #01....REFER "MO-6500S GAUGE TABLE"  
#02....QUANTITY DIFFERS ACCORDING TO A MODEL.

# 10. UPPER LOOPER COMPONENTS

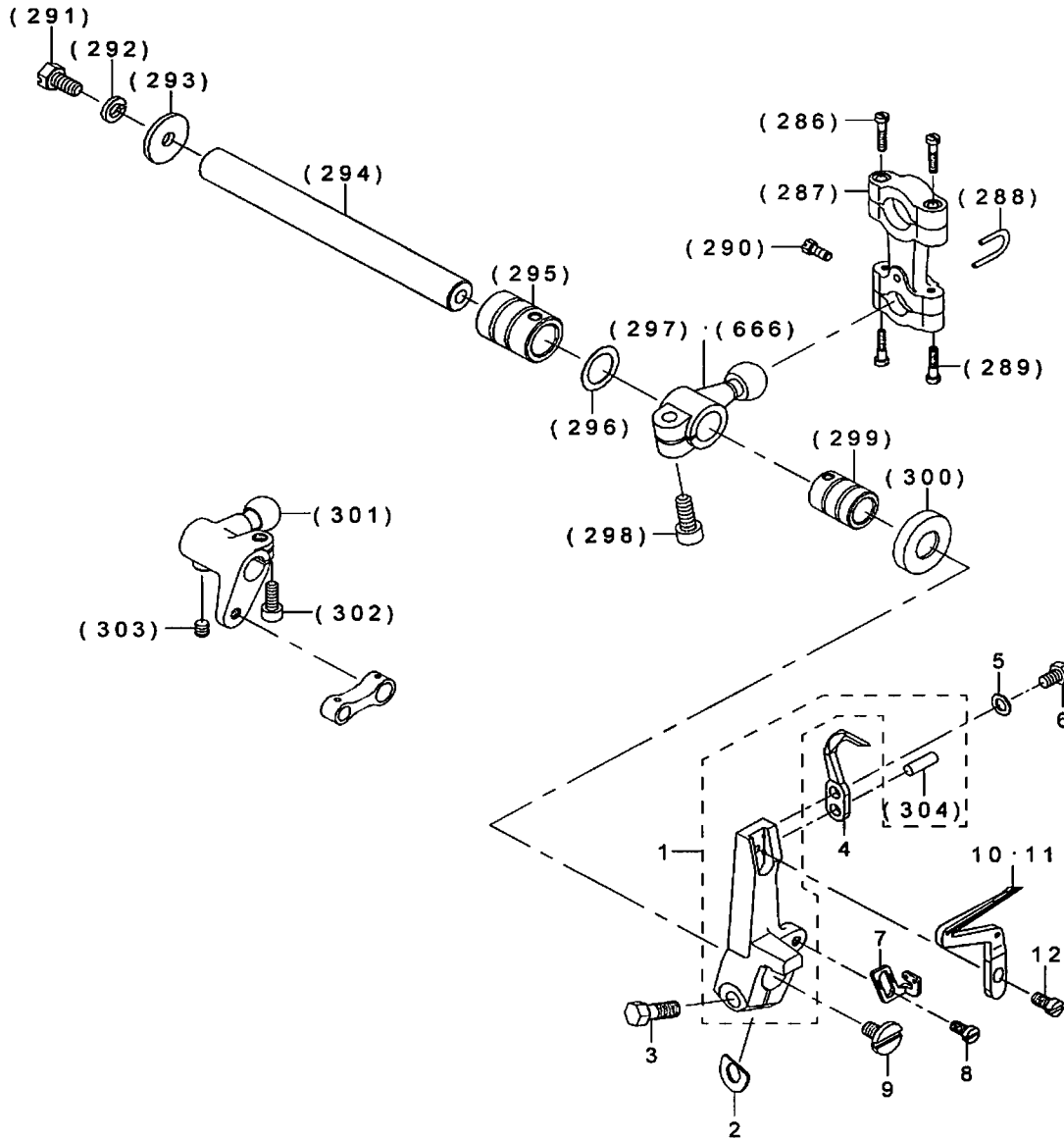
MODEL	04/16	14/43	20W/40W/44W
PARTS NO	19	18	18
	1	2	3
	13	13	14
	(250)	(251)	(251)
	(268)	(269)	(270)
	(256)	(285)	(266)



REF.NO	NOTE	PART NO	DESCRIPTION	Qty
1		700-00245	CONNECTING ROD SEAT ASM.	1
2		700-00836	CONNECTING ROD SEAT ASM.	1
3		700-00837	CONNECTING ROD SEAT ASM.	1
4		700-00498	E_SCREW	(1)
5		700-00748	COVER	1
6		700-00268	OIL SEAL	1
7		700-00197	THREAD CROSSING	1
8		700-00198	THREAD CROSSING	1
9		700-00501	E_SCREW	1
10		700-00518	E_SCREW	2
11		700-00200	THREAD CROSSING	1
12		700-00195	THREAD CROSSING	1
13		700-00196	THREAD CROSSING	1
14		700-00812	THREAD CROSSING	1
15	#01	*****	LOOPER	1
16		700-00244	OIL TUBE	1
17		700-00522	E_SCREW	2
18		700-00252	BALL CONNECTING ROD ASM.	1
19		700-00835	BALL CONNECTING ROD ASM.	1
20		700-00515	E_SCREW	1
(245)		-	E_SCREW	(2)
(246)		-	FIXED JAW	(1)
(247)		-	BALL CONNECTING ROD	(1)
(248)		-	E_SCREW	(2)
(249)		-	E_SCREW	(1)
(250)		-	BALL CONNECTING ROD	(1)
(251)		-	BALL CONNECTING ROD	(1)
(252)		-	M_SCREW	(1)
(253)		-	E_SCREW	1
(254)		-	WASHER	1
(255)		-	GASKET	1
(256)		-	CUSHION	1
(257)		-	ARBOR	1
(258)		-	BUSHING	1
(259)		-	E_SCREW	1
(260)		-	BUSHING	1
(261)		-	OIL WICK	2
(262)		-	OIL FELT	2
(263)		-	M_SCREW	(1)
(264)		-	CONNECTING ROD	(1)
(265)		-	OIL WICK	(1)
(266)		-	CUSHION	(1)
(267)		-	LOOPER GUIDE SHAFT	(1)
(268)		-	CONNECTING ROD SEAT	(1)
(269)		-	CONNECTING ROD SEAT	(1)
(270)		-	CONNECTING ROD SEAT	(1)
(271)		-	FIXED PLATE	(1)
(272)		-	THREAD CROSSING	(1)
(273)		-	E_SCREW	(1)
(274)		-	E_SCREW	(1)
(275)		-	E_SCREW	(1)
(276)		-	LOOPER CONNECTING ROD	(1)
(277)		-	PIN	(1)
(278)		-	OIL WICK	(1)
(279)		-	OIL YARN	(2)
(280)		-	M_SCREW	2
(281)		-	FIXED PLATE	1
(282)		-	WASHER	2
(283)		-	E_SCREW	2
(284)		-	E_SCREW	2
(285)		-	CUSHION	1
	NOTE		#01....REFER *MO-6500S GAUGE TABLE*	

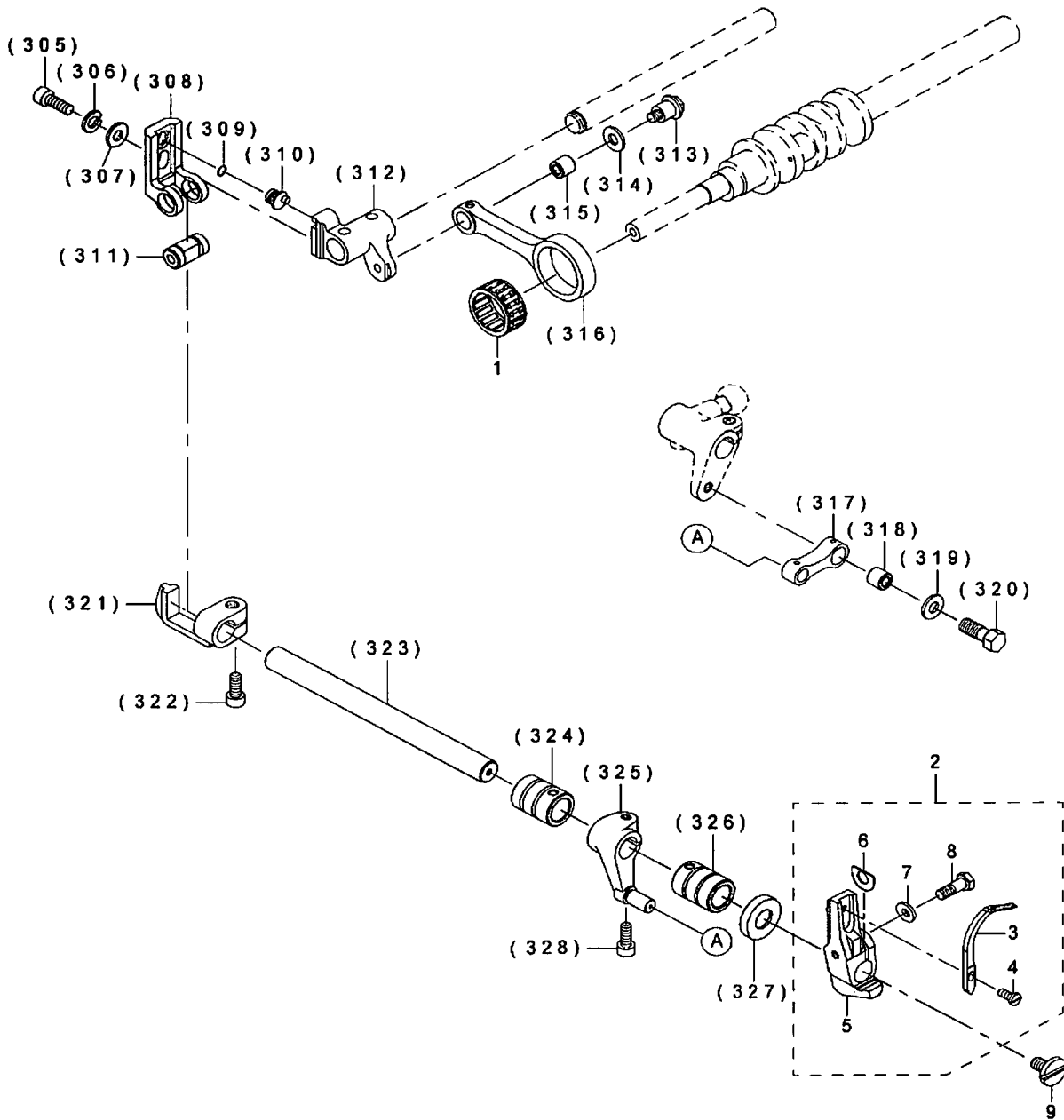
# 11. LOWER LOOPER COMPONENTS

MODEL	04/14	16/43	20W/40W/44W
PARTS NO	10	10	11



REF.NO	NOTE	PART NO	DESCRIPTION	Qty
1		700-00406	LOOPER HOLDER	1
2		700-00380	GASKET	1
3		700-00531	E_SCREW	1
4		700-00175	EJECTOR PLATE	1
5		700-00751	WASHER	1
6		700-00511	SCREW	1
7		700-00199	THREAD GUIDE PLATE	1
8		700-00506	E_SCREW	1
9		700-00525	SCREW	1
10		700-00405	LOOPER	1
11		700-00838	LOOPER	1
12		700-00505	E_SCREW	1
(286)	-	-	E_SCREW	2
(287)	-	-	BALL CONNECTING ROD	1
(288)	-	-	FIXED JAW	1
(289)	-	-	E_SCREW	2
(290)	-	-	E_SCREW	1
(291)	-	-	E_SCREW	1
(292)	-	-	WASHER	1
(293)	-	-	GASKET	1
(294)	-	-	ARBOR	1
(295)	-	-	BUSHING	1
(296)	-	-	WASHER	1
(297)	-	-	BALL CONNECTING ROD	1
(298)	-	-	M_SCREW	1
(299)	-	-	BUSHING	1
(300)	-	-	OIL SEAL	1
(301)	-	-	BALL CONNECTING ROD	1
(302)	-	-	M_SCREW	1
(303)	-	-	E_SCREW	1
(304)	-	-	PIN	(1)
(666)	-	-	BALL CONNECTING ROD	1

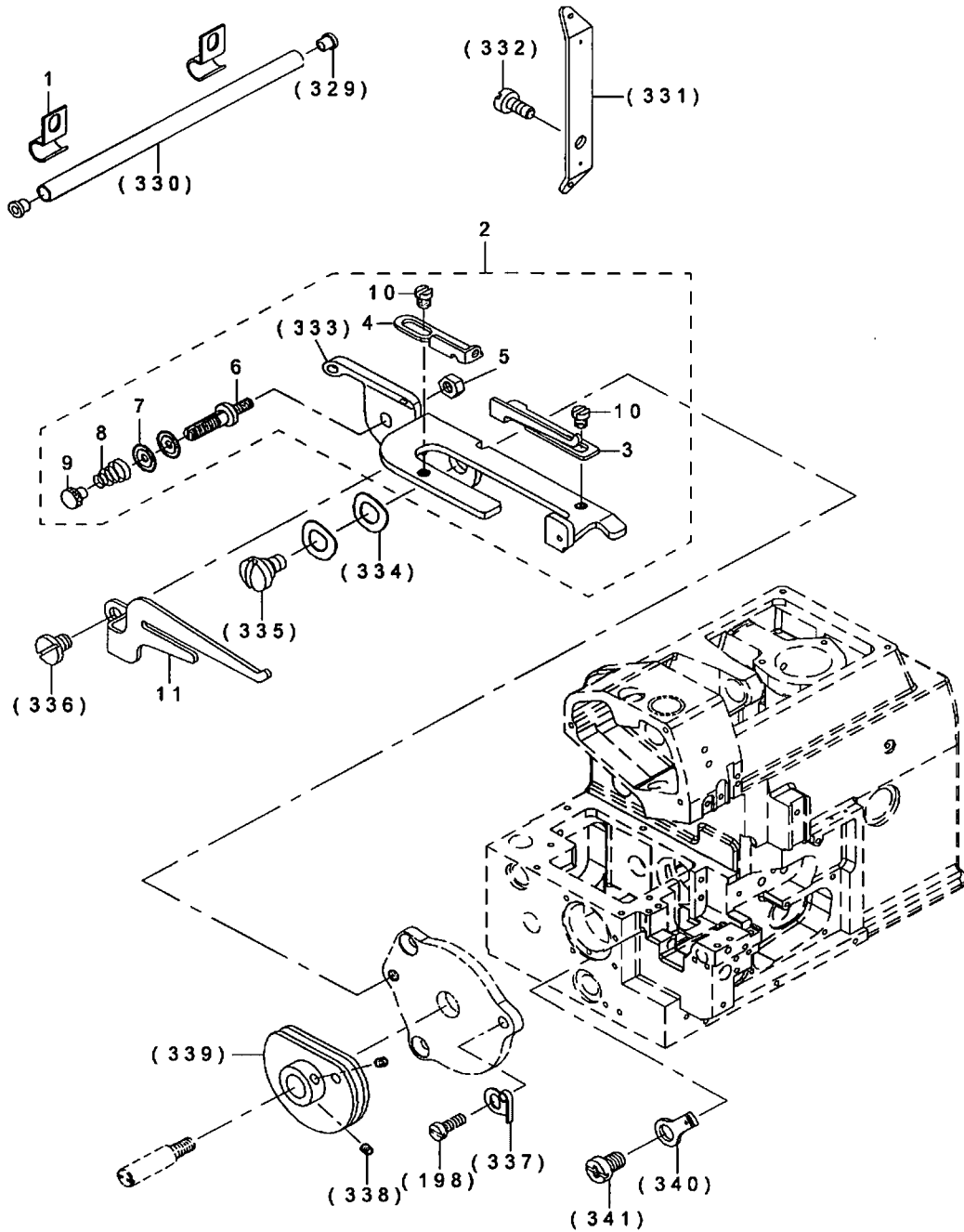
12. CHAIN LOOPER COMPONENTS (1)(FOR MO-6516S)





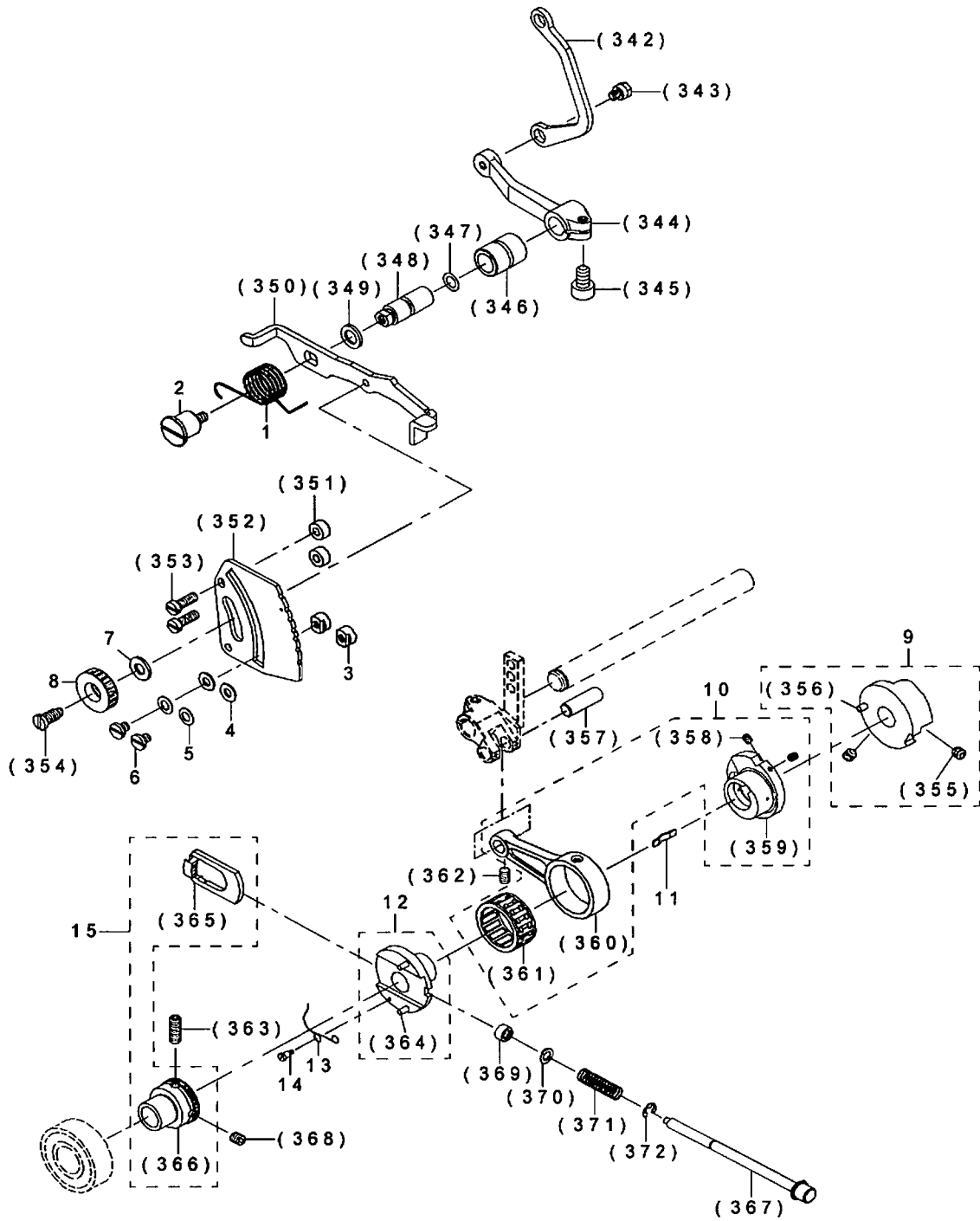
REF.NO	NOTE	PART NO	DESCRIPTION	Qty
1		700-00697	BEARING	1
2		700-00475	LOOPER ASM.	1
3		700-00473	LOOPER	(1)
4		700-00508	E_SCREW	(1)
5		700-00474	LOOPER HOLDER	(1)
6		700-00380	GASKET	(1)
7		700-00351	WASHER	(1)
8		700-00531	E_SCREW	(1)
9		700-00525	SCREW	1
(305)	-	-	E_SCREW	1
(306)	-	-	WASHER	1
(307)	-	-	WASHER	1
(308)	-	-	ADJUSTING SEAT	1
(309)	-	-	O-RING	1
(310)	-	-	ECCENTRIC	1
(311)	-	-	SHAFT	1
(312)	-	-	ADJUSTING SEAT	1
(313)	-	-	E_SCREW	1
(314)	-	-	GASKET	1
(135)	-	-	BUSHING	1
(316)	-	-	CONNECTING ROD	1
(317)	-	-	CONNECTING ROD	1
(318)	-	-	BUSHING	1
(319)	-	-	GASKET	1
(320)	-	-	E_SCREW	1
(321)	-	-	SLIDE BLOCK GUIDE	1
(322)	-	-	M_SCREW	1
(323)	-	-	SHAFT	1
(324)	-	-	BUSHING	1
(325)	-	-	LOOPER CONNECTING ROD	1
(326)	-	-	BUSHING	1
(327)	-	-	OIL SEAL	1
(328)	-	-	M_SCREW	1

### 13. CHAIN LOOPER COMPONENTS (2)



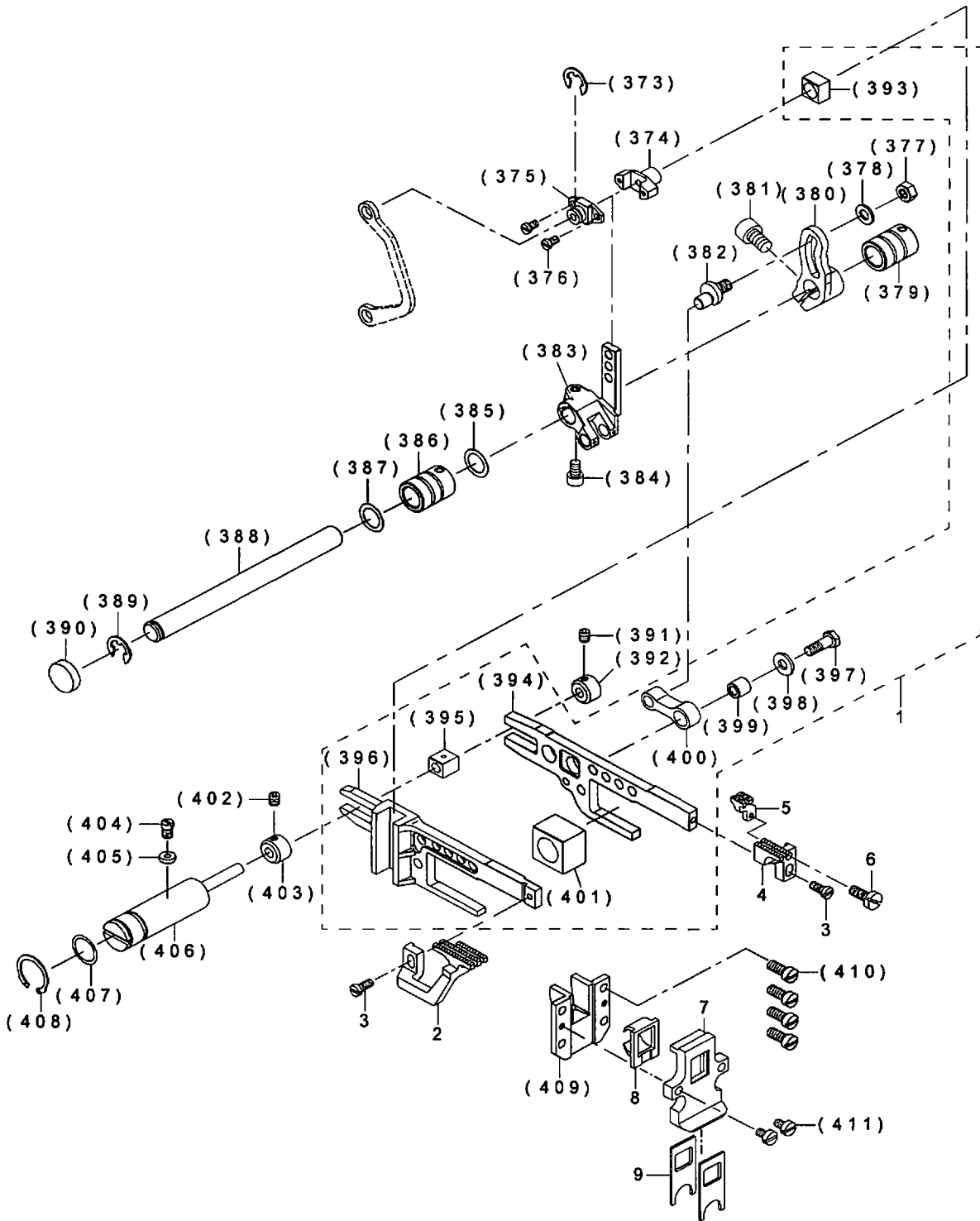
REF.NO	NOTE	PART NO	DESCRIPTION	Qty
1		700-00398	FIXED PLATE	2
2		700-00391	THREAD TAKE-UP DEVICE ASM.	1
3		700-00389	THREAD GUIDE PLATE	(1)
4		700-00390	THREAD GUIDE PLATE	(1)
5		700-00452	NUT	(1)
6		700-00395	THREAD TENSION SHAFT	(1)
7		700-00392	THREAD GRIP	(2)
8		700-00394	SPRING	(1)
9		700-00393	THREAD TENSION KNOB	(1)
10		700-00571	M_SCREW	(2)
11		700-00387	THREAD GUIDE PLATE	1
(198)	-		E_SCREW	1
(329)	-		PLUG	2
(330)	-		DUCT	1
(331)	-		THREAD CROSSING	1
(332)	-		E_SCREW	1
(333)	-		BRACKET	(1)
(334)	-		WASHER	2
(335)	-		E_SCREW	1
(336)	-		M_SCREW	1
(337)	-		SPRING PLATE	1
(338)	-		E_SCREW	2
(339)	-		THREAD TENSION CAM	1
(340)	-		THREAD GUIDE PLATE	1
(341)	-		E_SCREW	1

14. FEED MECHANISM COMPONENTS (1)



REF.NO	NOTE	PART NO	DESCRIPTION	Qty
1		700-00601	SPRING	1
2		700-00495	SCREW	1
3		700-00372	FIXED BLOCK	2
4		700-00349	WASHER	2
5		700-00344	GASKET	2
6		700-00512	E_SCREW	2
7		700-00345	WASHER	1
8		700-00450	NUT	1
9		700-00276	ADJUSTING WHEEL ASM.	1
10		700-00883	CONNECTING ROD ASM.	1
11		700-00162	SPRING PLATE	1
12		700-00282	ECCENTRIC	1
13		700-00602	SPRING	1
14		700-00568	M_SCREW	1
15		700-00740	ADJUSTING WHEEL ASM.	1
(342)	-	-	CONNECTING ROD	1
(343)	-	-	E_SCREW	1
(344)	-	-	DIFFERENTIAL CONNECTING ROD	1
(345)	-	-	M_SCREW	1
(346)	-	-	BUSHING	1
(347)	-	-	O-RING	1
(348)	-	-	ADJUSTING SEAT	1
(349)	-	-	WASHER	1
(350)	-	-	ADJUSTING PLATE	1
(351)	-	-	SPACER	2
(352)	-	-	FEED DOG SEAT	1
(353)	-	-	E_SCREW	2
(354)	-	-	E_SCREW	1
(355)	-	-	M_SCREW	(2)
(356)	-	-	PIN	(1)
(357)	-	-	PIN	1
(358)	-	-	E_SCREW	(2)
(359)	-	-	ECCENTRIC	(1)
(360)	-	-	CONNECTING ROD	(1)
(361)	-	-	BEARING	(1)
(362)	-	-	E_SCREW	1
(363)	-	-	M_SCREW	1
(364)	-	-	PIN	(2)
(365)	-	-	SLIDE BLOCK	(1)
(366)	-	-	ADJUSTING WHEEL	(1)
(367)	-	-	SHAFT	1
(368)	-	-	M_SCREW	1
(369)	-	-	O-RING	1
(370)	-	-	WASHER	1
(371)	-	-	SPRING	1
(372)	-	-	E_CIRCLIPS	1

15. FEED MECHANISM COMPONENTS (2)

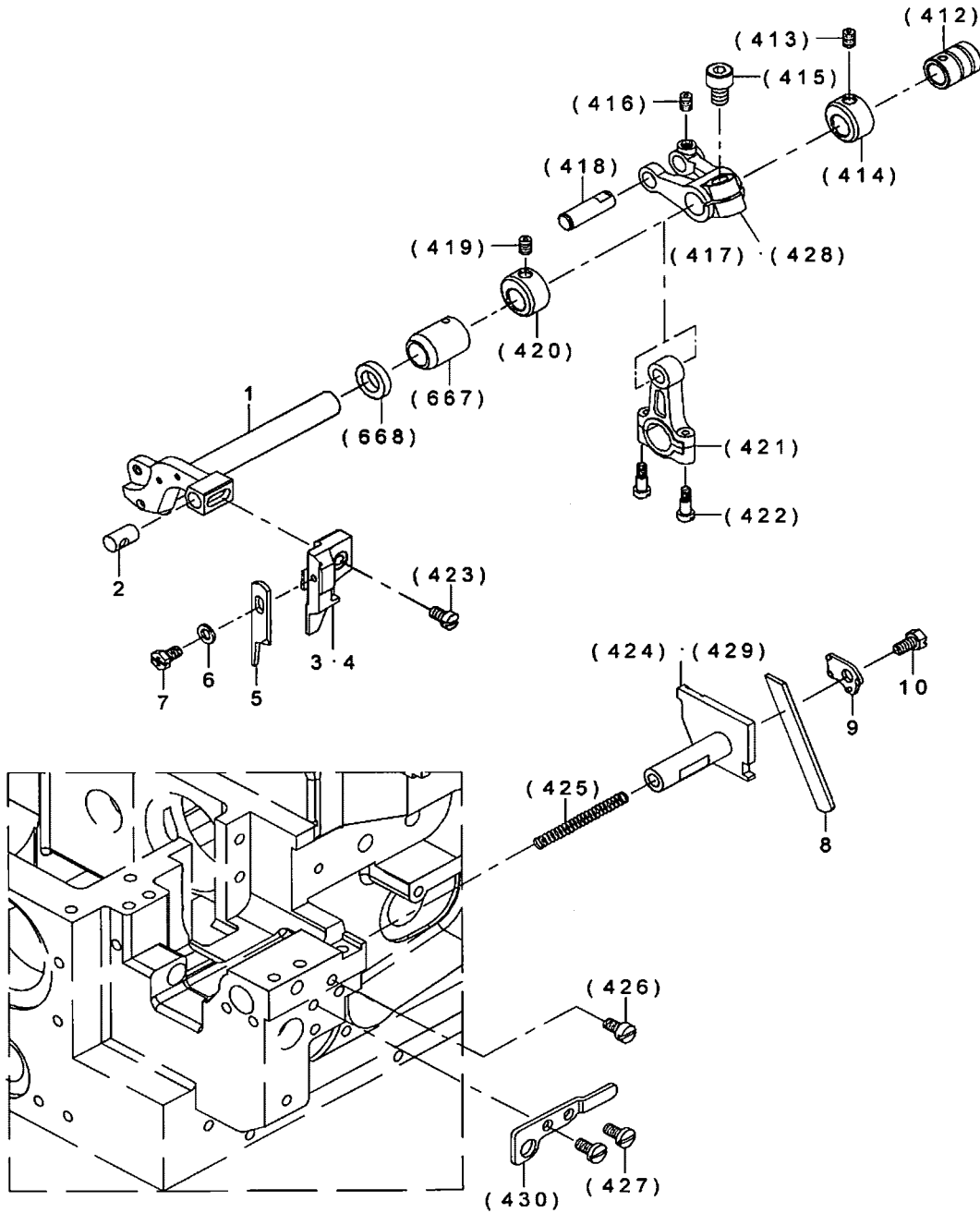


REF.NO	NOTE	PART NO	DESCRIPTION	Qty
1		700-00731	FEED DOG SEAT ASM.	1
2	#01	*****	FEED DOG	1
3		700-00509	E SCREW	2
4	#01	*****	FEED DOG	1
5	#01	*****	FEED DOG	1
6		700-00572	M SCREW	1
7		700-00151	OIL SCRAPER HOLDER	1
8		700-00150	OIL SEAL	1
9		700-00152	OIL SEAL	2
(373)	-	-	E_CIRCLIPS	1
(374)	-	-	ROCKING SEAT	1
(375)	-	-	ROCKING SEAT	1
(376)	-	-	E SCREW	2
(377)	-	-	NUT	1
(378)	-	-	WASHER	1
(379)	-	-	BUSHING	1
(380)	-	-	CRANK	1
(381)	-	-	M SCREW	1
(382)	-	-	ADJUSTING SHAFT	1
(383)	-	-	CRANK	1
(384)	-	-	M SCREW	1
(385)	-	-	WASHER	1
(386)	-	-	BUSHING	1
(387)	-	-	WASHER	1
(388)	-	-	ECCENTRIC SHAFT	1
(389)	-	-	E_CIRCLIPS	1
(390)	-	-	OIL SEAL	1
(391)	-	-	E SCREW	1
(392)	-	-	COLLAR	1
(393)	-	-	SLIDE BLOCK	(1)
(394)	-	-	FEED DOG SEAT	(1)
(395)	-	-	SLIDE BLOCK	(1)
(396)	-	-	FEED DOG SEAT	(1)
(397)	-	-	E SCREW	(1)
(398)	-	-	GASKET	(1)
(399)	-	-	BUSHING	(1)
(400)	-	-	CONNECTING ROD	(1)
(401)	-	-	SLIDE BLOCK	(1)
(402)	-	-	E SCREW	1
(403)	-	-	COLLAR	1
(404)	-	-	E SCREW	1
(405)	-	-	OIL SEAL	1
(406)	-	-	ECCENTRIC SHAFT	1
(407)	-	-	O-RING	1
(408)	-	-	E_CIRCLIPS	1
(409)	-	-	SLIDE BLOCK	1
(410)	-	-	E SCREW	4
(411)	-	-	E SCREW	2

NOTE #01....REFER 'MO-6500S GAUGE TABLE'

# 16. KNIFE COMPONENTS

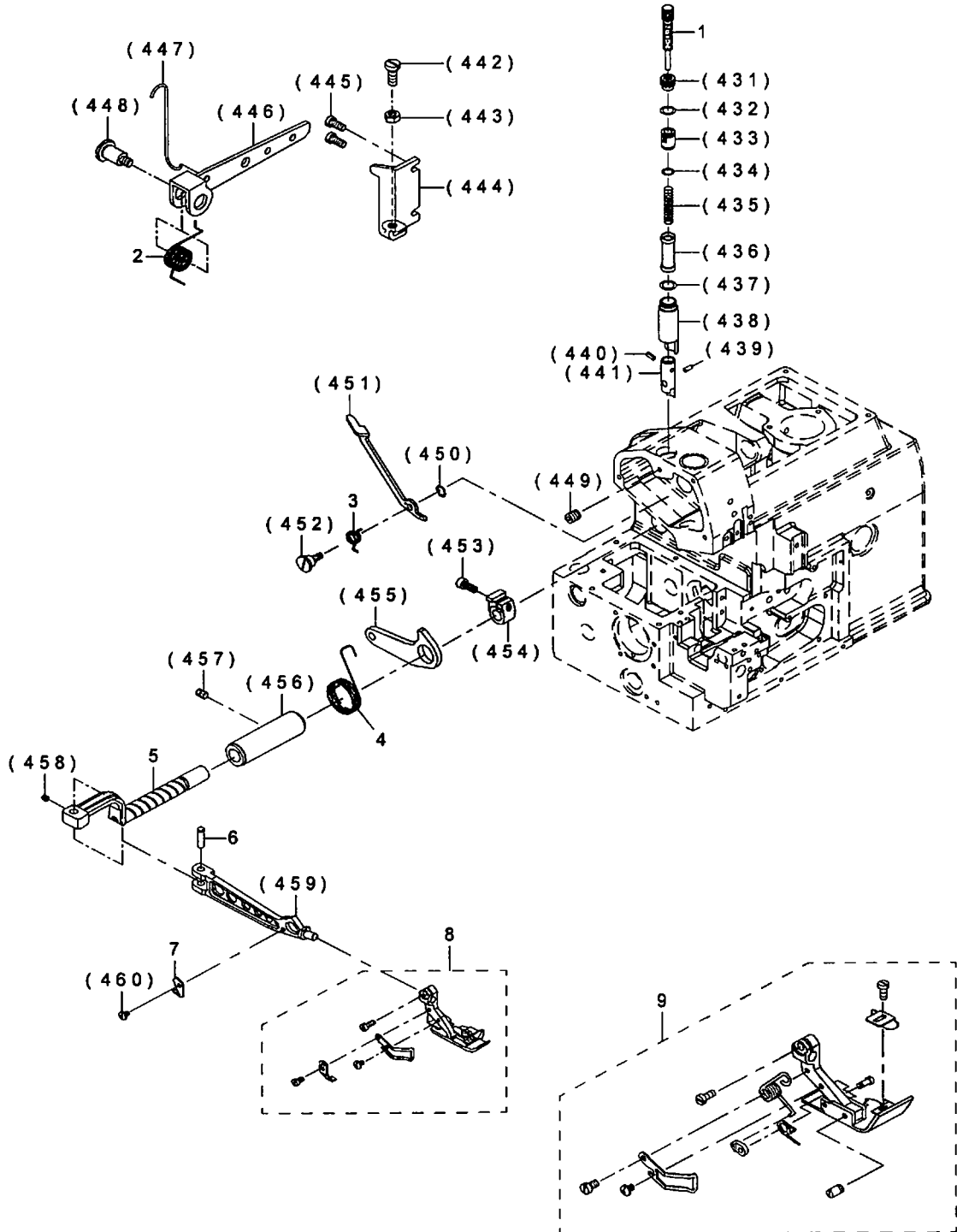
MODEL	04/14	16/43
	3	4
PARTS NO	(417)	(428)
	(424)	(429)





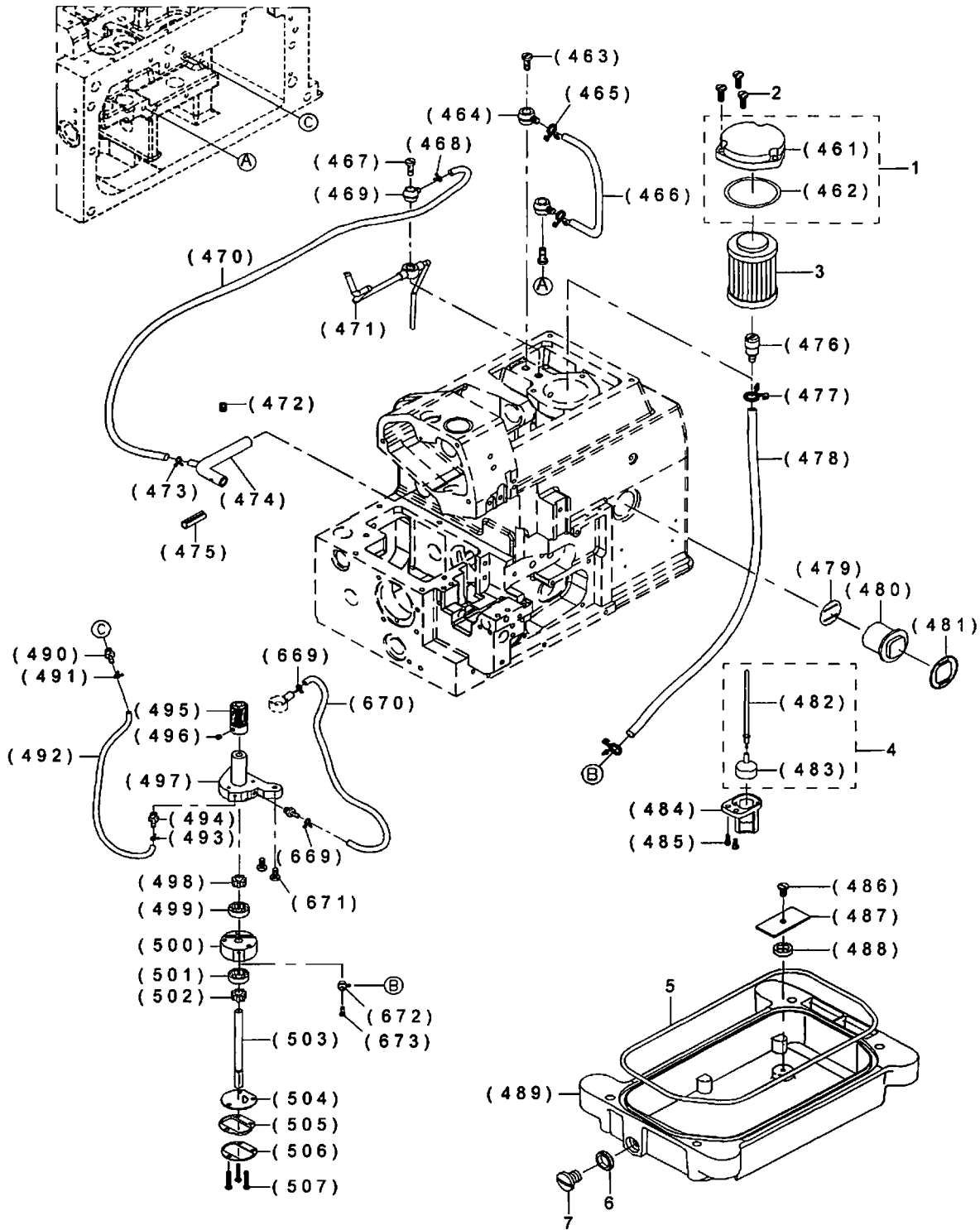
REF.NO	NOTE	PART NO	DESCRIPTION	Qty
1		700-00235	SWING AXLE	1
2		700-00230	SHAFT	1
3		700-00234	KNIFE SEAT	1
4		700-00843	KNIFE SEAT	1
5		700-00229	KNIFE	1
6		700-00347	GASKET	1
7		700-00510	E_SCREW	1
8		700-00399	KNIFE	1
9		700-00400	FIXED PLATE	1
10		700-00517	E_SCREW	1
(412)	-		BUSHING	1
(413)	-		E_SCREW	1
(414)	-		COLLAR	1
(415)	-		M_SCREW	1
(416)	-		E_SCREW	1
(417)	-		ROCKING BAR	1
(418)	-		PIN	1
(419)	-		E_SCREW	1
(420)	-		COLLAR	1
(421)	-		CONNECTING ROD	1
(422)	-		E_SCREW	2
(423)	-		E_SCREW	1
(424)	-		KNIFE SEAT	1
(425)	-		SPRING	1
(426)	-		E_SCREW	1
(427)	-		E_SCREW	2
(428)	-		ROCKING BAR	1
(429)	-		KNIFE SEAT	1
(430)	-		FIXED PLATE	1
(667)	-		BUSHING	1
(668)	-		OIL SEAL	1

17. PRESSER FOOT COMPONENTS



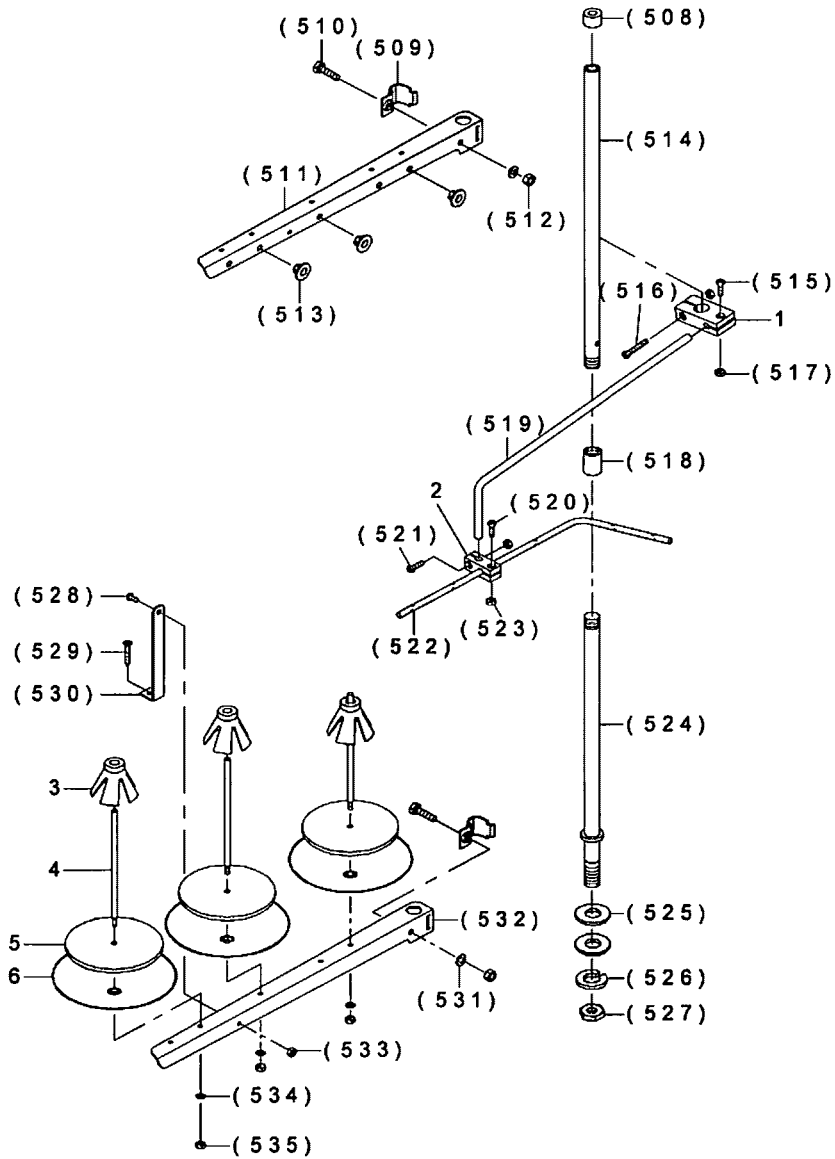
REF.NO	NOTE	PART NO	DESCRIPTION	Qty
1		700-00305	SCREW ROD	1
2		700-00604	SPRING	1
3		700-00607	SPRING	1
4		700-00605	SPRING	1
5		700-00274	PRESSER FOOT LIFTING LEVER	1
6		700-00673	SHAFT	1
7		700-00176	KNIFE	1
8	#01	*****	PRESSER FOOT	1
9	#01	*****	PRESSER FOOT	1
(431)		-	NUT	1
(432)		-	O-RING	1
(433)		-	FIXED BUTTON	1
(434)		-	O-RING	1
(435)		-	SPRING	1
(436)		-	THRIMBLE	1
(437)		-	O-RING	1
(438)		-	BUSHING	1
(439)		-	SHAFT	1
(440)		-	PIN	1
(441)		-	SLIDER	1
(442)		-	M_SCREW	1
(443)		-	NUT	1
(444)		-	STOPPER	1
(445)		-	E_SCREW	2
(446)		-	PRESSER FOOT LIFTING LEVER	1
(447)		-	HOOK BAR	1
(448)		-	M_SCREW	1
(449)		-	E_SCREW	1
(450)		-	WASHER	1
(451)		-	LEVER	1
(452)		-	E_SCREW	1
(453)		-	M_SCREW	1
(454)		-	COLLAR	1
(455)		-	DRAG LINK	1
(456)		-	BUSHING	1
(457)		-	E_SCREW	1
(458)		-	M_SCREW	1
(459)		-	PRESSER FOOT ARM	1
(460)		-	E_SCREW	1
	NOTE		#01....REFER "MO-6500S GAUGE TABLE"	

# 18. LUBRICATION MECHANISM COMPONENTS



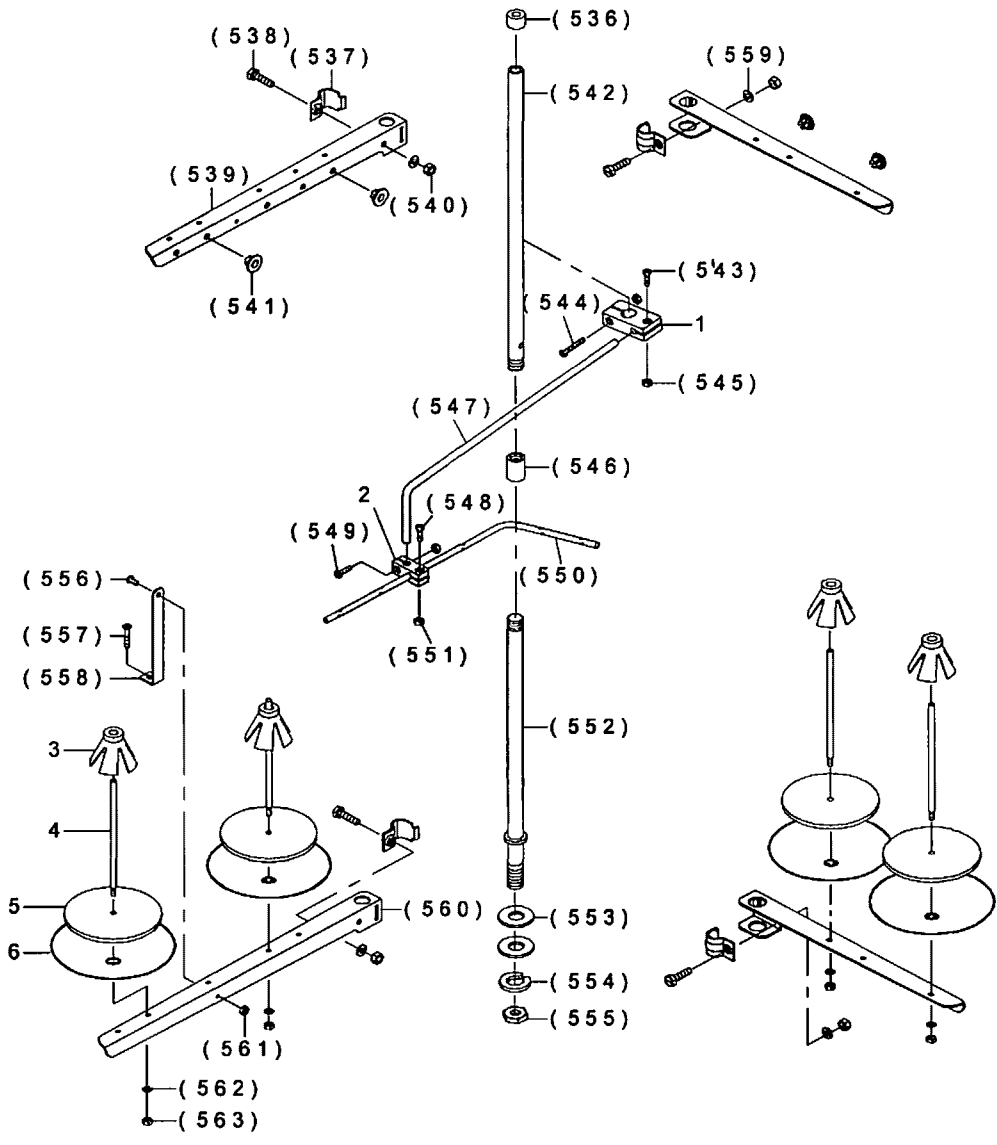
REF.NO	NOTE	PART NO	DESCRIPTION	Qty
1		700-00675	OIL FILTER	1
2		700-00520	E_SCREW	3
3		700-00312	OIL FILTER	1
4		700-00160	OIL INDICATOR	1
5		700-00273	O-RING	1
6		700-00146	OIL SEAL	1
7		700-00533	E_SCREW	1
(461)	-		OIL FILTER COVER	(1)
(462)	-		O-RING	(1)
(463)	-		E_SCREW	1
(464)	-		JOINT	2
(465)	-		SPRING CLAMP	2
(466)	-		HOSE	1
(467)	-		E_SCREW	1
(468)	-		SPRING CLAMP	1
(469)	-		JOINT	1
(470)	-		HOSE	1
(471)	-		COPPER TUBE	1
(472)	-		E_SCREW	1
(473)	-		SPRING CLAMP	1
(474)	-		OIL TUBE	1
(475)	-		PIN	1
(476)	-		JOINT	1
(477)	-		SPRING CLAMP	2
(478)	-		HOSE	1
(479)	-		NAME PLATE	1
(480)	-		OIL LEVEL INSPECTION LENS	1
(481)	-		NAME PLATE	1
(482)	-		OIL INDICATOR ROD	(1)
(483)	-		OIL INDICATOR	(1)
(484)	-		BAFFLE	1
(485)	-		E_SCREW	2
(486)	-		E_SCREW	1
(487)	-		BAFFLE	1
(488)	-		MAGNET	1
(489)	-		OIL RESERVOIR	1
(490)	-		JOINT	1
(491)	-		SPRING CLAMP	1
(492)	-		HOSE	1
(493)	-		SPRING CLAMP	1
(494)	-		JOINT	1
(495)	-		GEAR	1
(496)	-		M_SCREW	1
(497)	-		PUMP BODY	1
(498)	-		GEAR	1
(499)	-		GEAR	1
(500)	-		PUMP BODY	1
(501)	-		GEAR	1
(502)	-		GEAR	1
(503)	-		SHAFT	1
(504)	-		PUMP COVER	1
(505)	-		FILTER NET	1
(506)	-		GASKET	1
(507)	-		M_SCREW	3
(669)	-		SPRING CLAMP	2
(670)	-		OIL TUBE	1
(671)	-		E_SCREW	2
(672)	-		JOINT	1
(673)	-		E_SCREW	1

19. THREAD STAND COMPONENTS (FOR MO-6504S)



REF.NO	NOTE	PART NO	DESCRIPTION	Qty
1		700-00180	THREAD STEADY BALL SEAT	1
2		700-00181	THREAD GUIDE BAR	1
3		700-00218	COILING SEAT	3
4		700-00217	FIXED PLATE	3
5		700-00216	FIXED SEAT	3
6		700-00215	CONNECTING LOOP	3
(508)	-		THREAD STAND COVER	1
(509)	-		FIXED PLATE	2
(510)	-		SCREW	2
(511)	-		THREAD GUIDE BAR	1
(512)	-		NUT	2
(513)	-		PLUG	3
(514)	-		THREAD STAND ROD	1
(515)	-		SCREW	1
(516)	-		SCREW	1
(517)	-		NUT	2
(518)	-		CONNECTING LOOP	1
(519)	-		THREAD GUIDE BAR	1
(520)	-		SCREW	1
(521)	-		SCREW	1
(522)	-		THREAD GUIDE PLATE	1
(523)	-		NUT	2
(524)	-		THREAD STAND ROD	1
(525)	-		WASHER	2
(526)	-		WASHER	1
(527)	-		NUT	1
(528)	-		SCREW	1
(529)	-		E. SCREW	1
(530)	-		SUPPORTER	1
(531)	-		WASHER	2
(532)	-		THREAD GUIDE BAR	1
(533)	-		NUT	1
(534)	-		WASHER	3
(535)	-		NUT	3

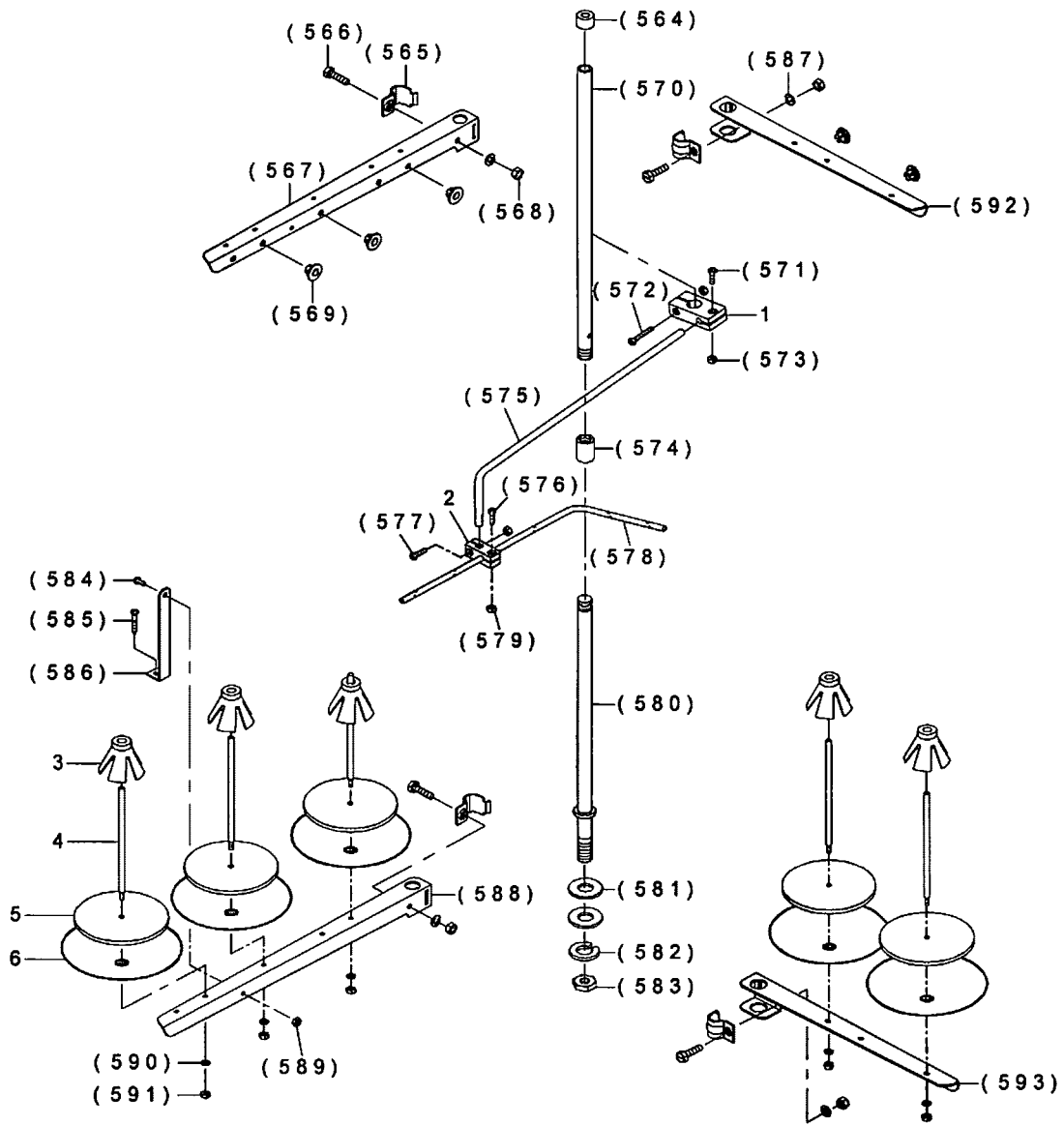
20. THREAD STAND COMPONENTS (FOR MO-6514S)





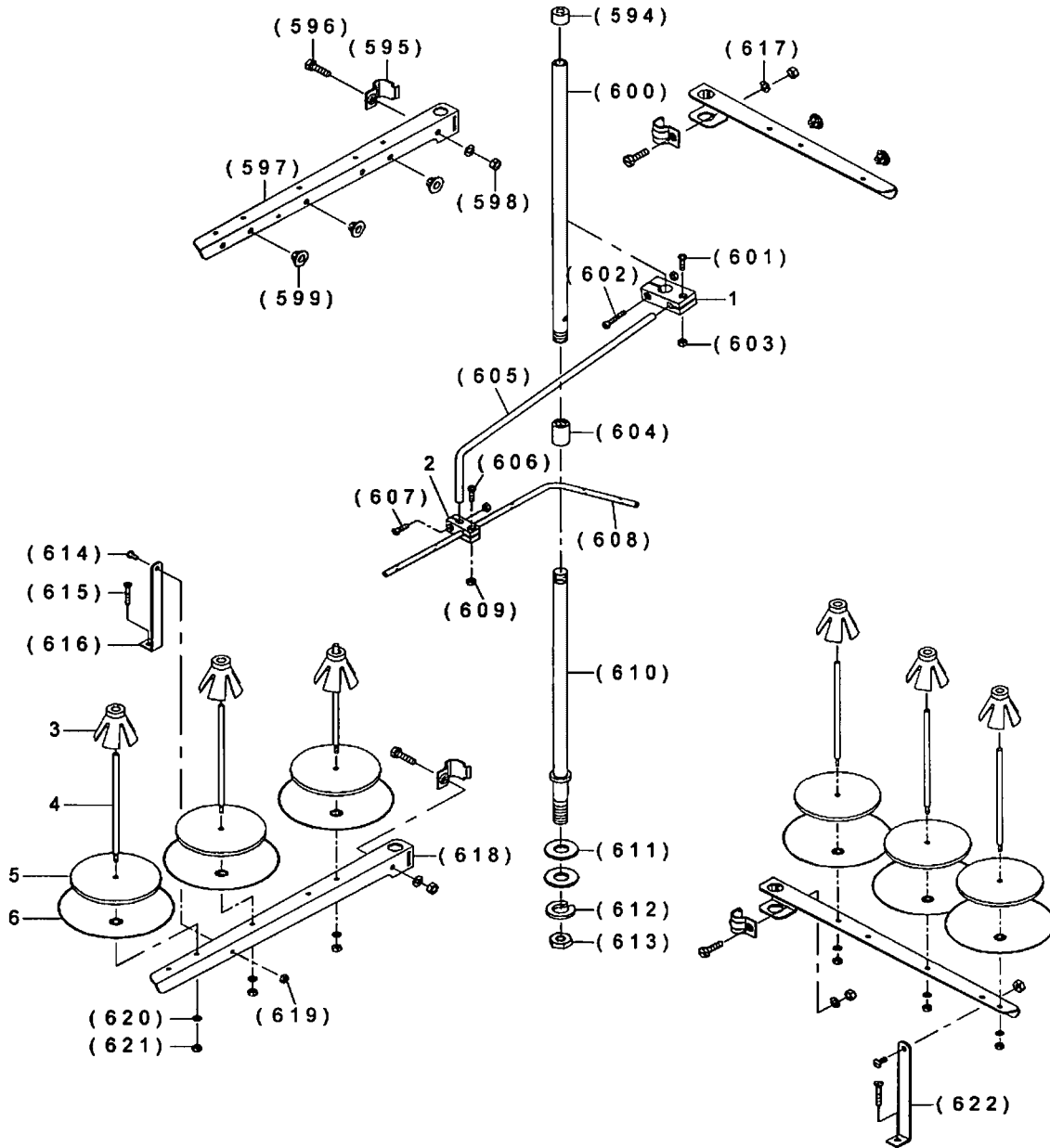
REF.NO	NOTE	PART NO	DESCRIPTION	Qty
1		700-00180	THREAD STEADY BALL SEAT	1
2		700-00181	THREAD GUIDE BAR	1
3		700-00218	COILING SEAT	4
4		700-00217	FIXED PLATE	4
5		700-00216	FIXED SEAT	4
6		700-00215	CONNECTING LOOP	4
(536)	-	-	THREAD STAND COVER	1
(537)	-	-	FIXED PLATE	4
(538)	-	-	SCREW	4
(539)	-	-	THREAD GUIDE BAR	2
(540)	-	-	NUT	4
(541)	-	-	PLUG	4
(542)	-	-	THREAD STAND ROD	1
(543)	-	-	SCREW	1
(544)	-	-	SCREW	1
(545)	-	-	NUT	2
(546)	-	-	CONNECTING LOOP	1
(547)	-	-	THREAD GUIDE BAR	1
(548)	-	-	SCREW	1
(549)	-	-	SCREW	1
(550)	-	-	THREAD GUIDE PLATE	1
(551)	-	-	NUT	2
(552)	-	-	THREAD STAND ROD	1
(553)	-	-	WASHER	2
(554)	-	-	WASHER	1
(555)	-	-	NUT	1
(556)	-	-	SCREW	1
(557)	-	-	E SCREW	1
(558)	-	-	SUPPORTER	1
(559)	-	-	WASHER	4
(560)	-	-	THREAD GUIDE BAR	2
(561)	-	-	NUT	1
(562)	-	-	WASHER	4
(563)	-	-	NUT	4

## 21. THREAD STAND COMPONENTS (FOR MO-6516S)



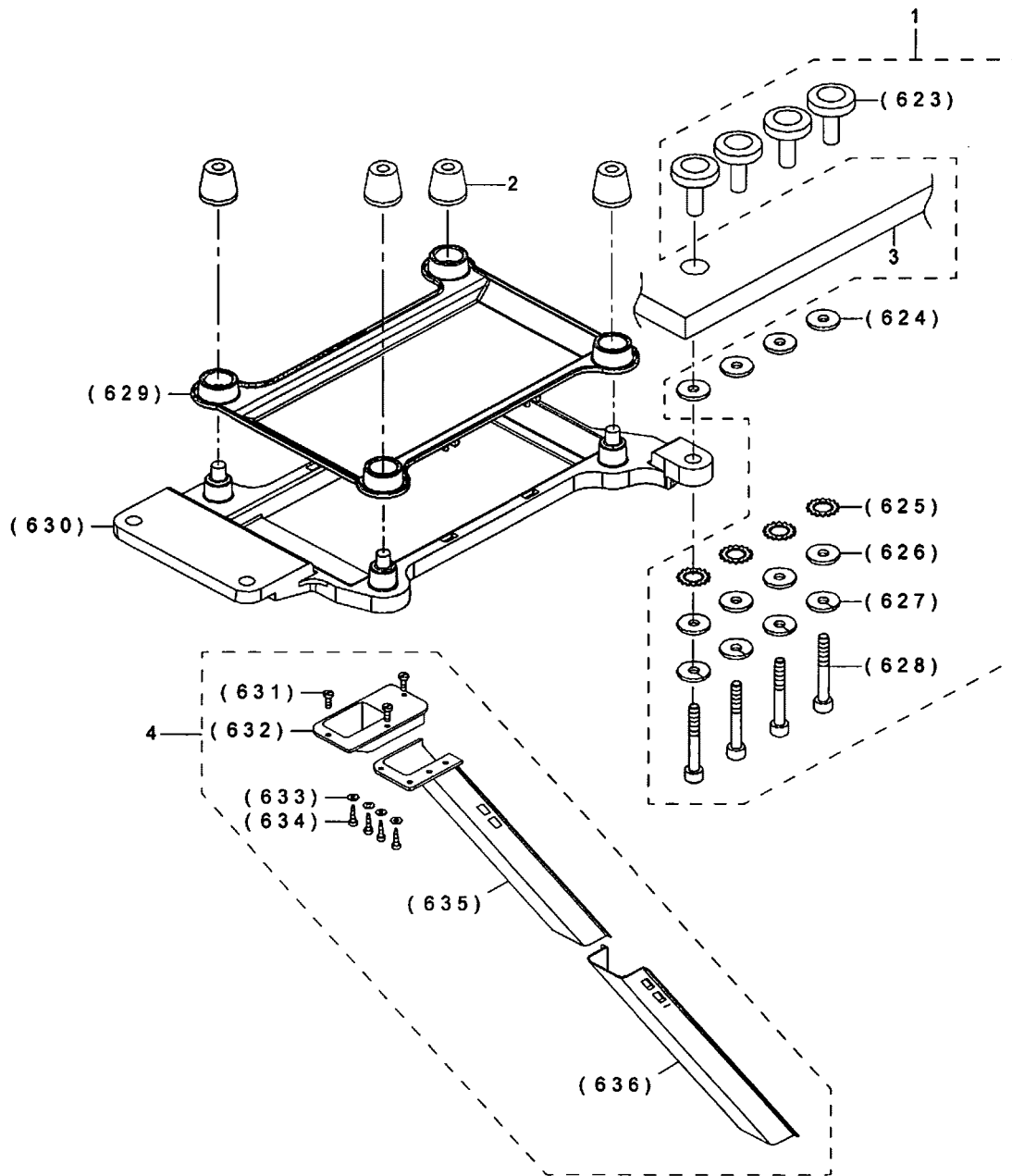
REF.NO	NOTE	PART NO	DESCRIPTION	Qty
1		700-00180	FIXED SEAT	1
2		700-00181	FIXED SEAT	1
3		700-00218	THREAD STEADY BALL SEAT	5
4		700-00217	CONNECTING LOOP	5
5		700-00216	SPONGY CUSHION	5
6		700-00215	COILING SEAT	5
(564)	-	-	THREAD STAND COVER	1
(565)	-	-	FIXED PLATE	4
(566)	-	-	SCREW	4
(567)	-	-	THREAD GUIDE BAR	1
(568)	-	-	NUT	4
(569)	-	-	PLUG	5
(570)	-	-	THREAD STAND ROD	1
(571)	-	-	SCREW	1
(572)	-	-	SCREW	1
(573)	-	-	NUT	2
(574)	-	-	CONNECTING LOOP	1
(575)	-	-	THREAD GUIDE BAR	1
(576)	-	-	SCREW	1
(577)	-	-	SCREW	1
(578)	-	-	THREAD GUIDE PLATE	1
(579)	-	-	NUT	2
(580)	-	-	THREAD STAND ROD	1
(581)	-	-	WASHER	2
(582)	-	-	WASHER	1
(583)	-	-	NUT	1
(584)	-	-	SCREW	1
(585)	-	-	E. SCREW	1
(586)	-	-	SUPPORTER	1
(587)	-	-	WASHER	4
(588)	-	-	THREAD GUIDE BAR	1
(589)	-	-	NUT	1
(590)	-	-	WASHER	5
(591)	-	-	NUT	5
(592)	-	-	THREAD GUIDE BAR	1
(593)	-	-	THREAD GUIDE BAR	1

22. THREAD STAND COMPONENTS (FOR MO-6543S)



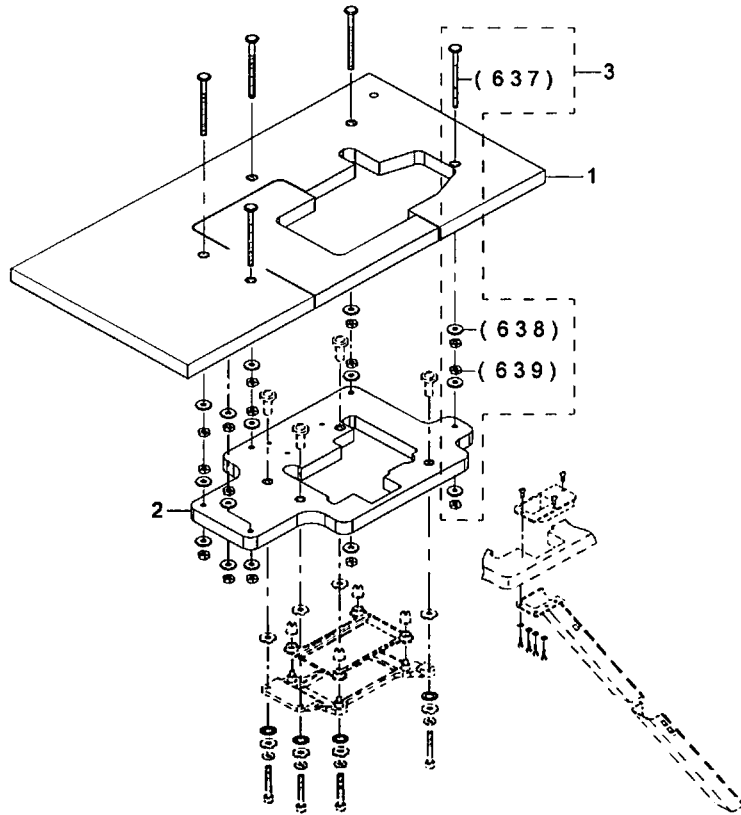
REF.NO	NOTE	PART NO	DESCRIPTION	Qty
1		700-00180	FIXED SEAT	1
2		700-00181	FIXED SEAT	1
3		700-00218	THREAD STEADY BALL SEAT	6
4		700-00217	CONNECTING LOOP	6
5		700-00216	SPONGY CUSHION	6
6		700-00215	COILING SEAT	6
(594)	-	-	THREAD STAND COVER	1
(595)	-	-	FIXED PLATE	4
(596)	-	-	SCREW	4
(597)	-	-	THREAD GUIDE BAR	2
(598)	-	-	NUT	4
(599)	-	-	PLUG	6
(600)	-	-	THREAD STAND ROD	1
(601)	-	-	SCREW	1
(602)	-	-	SCREW	1
(603)	-	-	NUT	2
(604)	-	-	CONNECTING LOOP	1
(605)	-	-	THREAD GUIDE BAR	1
(606)	-	-	SCREW	1
(607)	-	-	SCREW	1
(608)	-	-	THREAD GUIDE PLATE	1
(609)	-	-	NUT	2
(610)	-	-	THREAD STAND ROD	1
(611)	-	-	WASHER	2
(612)	-	-	WASHER	1
(613)	-	-	NUT	1
(614)	-	-	SCREW	2
(615)	-	-	E_SCREW	2
(616)	-	-	SUPPORTER	1
(617)	-	-	WASHER	4
(618)	-	-	THREAD GUIDE BAR	2
(619)	-	-	NUT	2
(620)	-	-	WASHER	6
(621)	-	-	NUT	6
(622)	-	-	SUPPORTER	1

23. SEMI-SUNKEN TYPE TABLE COMPONENTS



REF.NO	NOTE	PART NO	DESCRIPTION	Qty
1		700-00265	BOLT ASM.	1
2		700-00338	RUBBER BLOCK	4
3		700-00854	TABLE	1
4		700-00484	WASTE FABRIC CHUTE ASM.	1
(623)	-		FIXED SHAFT	(4)
(624)	-		RUBBER BLOCK	(4)
(625)	-		WASHER	(4)
(626)	-		WASHER	(4)
(627)	-		WASHER	(4)
(628)	-		BOLT	(4)
(629)	-		RUBBER PAD	1
(630)	-		CHASSIS	1
(631)	-		E_SCREW	(3)
(632)	-		WASTE FABRIC CHUTE	(1)
(633)	-		WASHER	(4)
(634)	-		E_SCREW	(4)
(635)	-		WASTE FABRIC CHUTE	(1)
(636)	-		WASTE FABRIC CHUTE	(1)

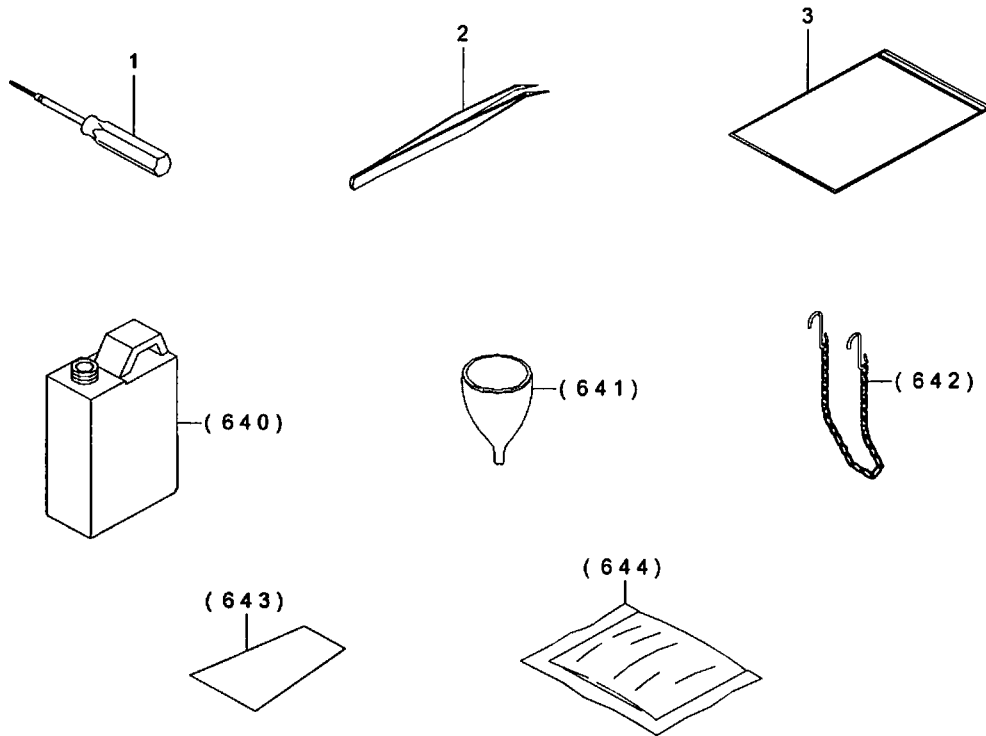
**24. FULLY-SUNKEN TYPE TABLE COMPONENTS**



REF.NO	NOTE	PART NO	DESCRIPTION	Qty
1		700-00444	TABLE	1
2		700-00706	FIXED PLATE	1
3	#01	700-00884	BOLT ASM.	1
(637)		-	SCREW	(5)
(638)		-	WASHER	(15)
(639)		-	NUT	(15)
	NOTE		#01....FIVE PARTS ENCLOSED WITH THE DOTTED LINE ARE ENCLOSED	

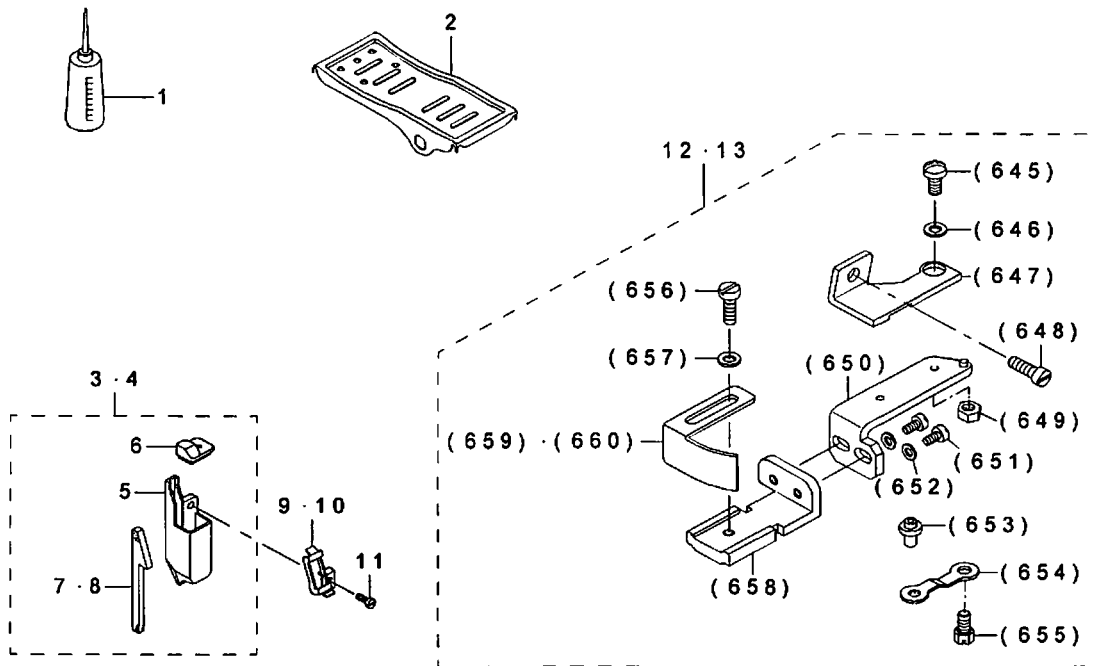


**25. ACCESSORIES PARTS COMPONENTS**



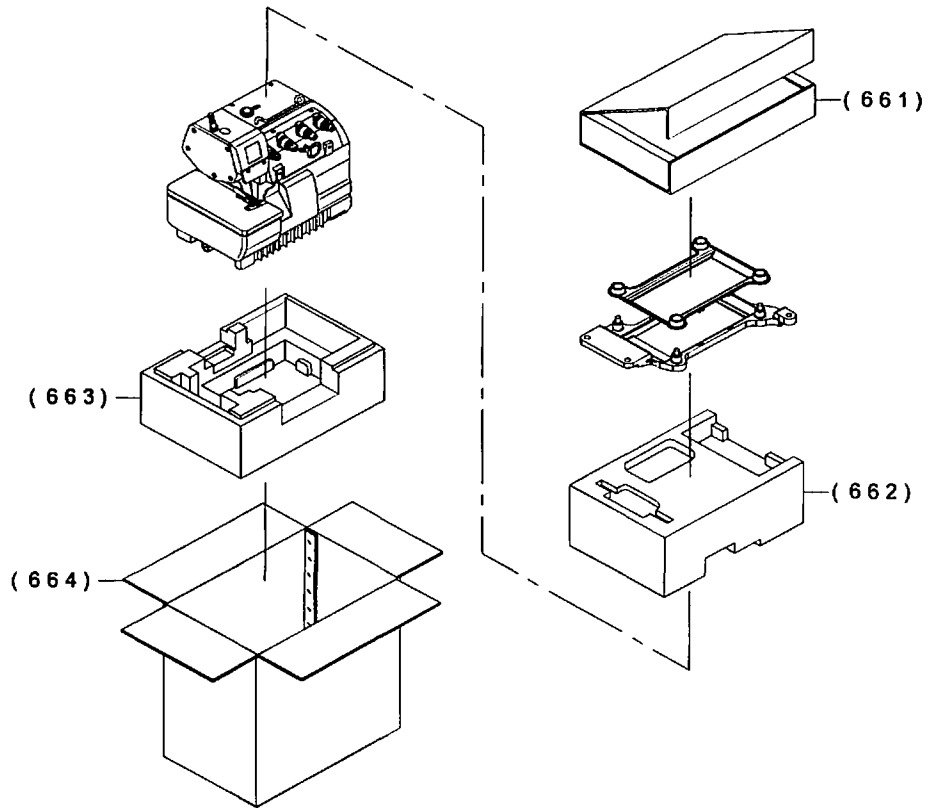
REF.NO	NOTE	PART NO	DESCRIPTION	Qty
1		700-00758	HEXAGON SCREWDRIVER	1
2		700-00759	TWEEZERS	1
3		700-00866	TOOL BAG	1
(640)	-	-	OIL POT	1
(641)	-	-	FUNNEL	1
(642)	-	-	CHAIN	1
(643)	-	-	NEEDLE PLATE PAPER	1
(644)	-	-	DESICCATIVE	1

## 26. SPECIAL ORDER PARTS COMPONENTS



REF.NO	NOTE	PART NO	DESCRIPTION	Qty
1		700-00865	OILER	1
2		700-00867	PEDAL	1
3		700-00887	SILICON TANK ASM.(OVER)	1
4		700-00888	SILICON TANK ASM.(INTER)	1
5		700-00847	TANK	(1)
6		700-00849	COVER	(1)
7		700-00848	OIL FELT (OVER)	(1)
8		700-00885	OIL FELT (INTER)	(1)
9		700-00850	THREAD GUIDE PLATE (OVER)	1
10		700-00886	THREAD GUIDE PLATE (INTER)	1
11		700-00853	E_SCREW	1
12		700-00852	FABRIC GUIDE ASM.(OVER)	1
13		700-00889	FABRIC GUIDE ASM.(INTER)	1
(645)	-	-	E_SCREW	(1)
(646)	-	-	GASKET	(1)
(647)	-	-	FABRIC GUIDE SEAT	(1)
(648)	-	-	E_SCREW	(1)
(649)	-	-	NUT	(1)
(650)	-	-	FIXED PLATE	(1)
(651)	-	-	E_SCREW	(2)
(652)	-	-	WASHER	(2)
(653)	-	-	PIN	(1)
(654)	-	-	SPRING PLATE	(1)
(655)	-	-	E_SCREW	(1)
(656)	-	-	E_SCREW	(1)
(657)	-	-	WASHER	(1)
(658)	-	-	SWING AXLE	(1)
(659)	-	-	FABRIC GUIDE (OVER)	(1)
(660)	-	-	FABRIC GUIDE (INTER)	(1)

**27. PACKING COMPONENTS**



REF.NO	NOTE	PART NO	DESCRIPTION	Qty
(661)	-	-	THREAD STAND	1
(662)	-	-	POLYSTYRENE	1
(663)	-	-	POLYSTYRENE	1
(664)	-	-	CARTON	1

NUMERICAL INDEX OF PARTS

PART NO	PAGE	REF NO	PART NO	PAGE	REF NO	PART NO	PAGE	REF NO	PART NO	PAGE	REF NO
-	9	2	-	11	35	-	17	54	-	21	31
-	11	24	-	11	36	-	17	55	-	21	32
-	17	50	-	11	37	-	17	56	-	21	33
-	19	21	-	11	38	-	17	57	-	23	11
-	21	13	-	11	39	-	17	58	-	23	12
-	23	10	-	11	40	-	17	59	-	23	13
-	25	12	-	11	41	-	17	60	-	23	14
-	27	16	-	11	42	-	17	61	-	23	15
-	29	10	-	11	43	-	17	62	-	23	16
-	31	11	-	13	1	-	17	63	-	23	17
-	33	10	-	13	2	-	17	64	-	23	18
-	35	8	-	13	3	-	17	65	-	23	19
-	37	7	-	13	4	-	17	66	-	23	20
-	39	7	-	13	5	-	17	67	-	23	21
-	41	7	-	13	6	-	17	68	-	23	22
-	43	7	-	13	7	-	17	69	-	23	23
-	45	5	-	13	8	-	17	70	-	23	24
-	46	4	-	13	9	-	19	22	-	23	25
-	47	4	-	13	10	-	19	23	-	23	26
-	48	14	-	13	11	-	19	24	-	23	27
-	-	-	-	13	12	-	19	25	-	23	28
-	7	1	-	13	13	-	19	26	-	23	29
-	7	2	-	13	14	-	19	27	-	23	30
-	7	3	-	13	15	-	19	28	-	23	31
-	7	4	-	13	16	-	19	29	-	23	32
-	7	5	-	13	17	-	19	30	-	23	33
-	7	6	-	13	18	-	19	31	-	23	34
-	7	7	-	13	19	-	19	32	-	25	13
-	7	8	-	13	20	-	19	33	-	25	14
-	7	9	-	13	21	-	19	34	-	25	15
-	7	10	-	13	22	-	19	35	-	25	16
-	7	11	-	13	23	-	19	36	-	25	17
-	7	12	-	13	24	-	19	37	-	25	18
-	7	13	-	13	25	-	19	38	-	25	19
-	7	14	-	13	26	-	19	39	-	25	20
-	7	15	-	13	27	-	19	40	-	25	21
-	7	16	-	13	28	-	19	41	-	25	22
-	7	17	-	13	29	-	19	42	-	25	23
-	7	18	-	13	30	-	19	43	-	25	24
-	7	19	-	13	31	-	19	44	-	25	25
-	7	20	-	13	32	-	19	45	-	25	26
-	7	21	-	13	33	-	19	46	-	27	17
-	7	22	-	13	34	-	19	47	-	27	18
-	7	23	-	13	35	-	19	48	-	27	19
-	9	3	-	13	36	-	19	49	-	27	20
-	9	4	-	13	37	-	19	50	-	27	21
-	9	5	-	15	1	-	19	51	-	27	22
-	9	6	-	15	2	-	19	52	-	27	23
-	9	7	-	15	3	-	19	53	-	27	24
-	9	8	-	15	4	-	19	54	-	27	25
-	9	9	-	15	5	-	19	55	-	27	26
-	9	10	-	15	6	-	19	56	-	27	27
-	9	11	-	15	7	-	19	57	-	27	28
-	9	12	-	15	8	-	19	58	-	27	29
-	9	13	-	15	9	-	19	59	-	27	30
-	9	14	-	15	10	-	19	60	-	27	31
-	9	15	-	15	11	-	19	61	-	27	32
-	9	16	-	15	12	-	19	62	-	27	33
-	9	17	-	15	13	-	21	14	-	27	34
-	9	18	-	15	14	-	21	15	-	27	35
-	9	19	-	15	15	-	21	16	-	27	36
-	9	20	-	15	16	-	21	17	-	27	37
-	9	21	-	15	17	-	21	18	-	27	38
-	9	22	-	15	18	-	21	19	-	27	39
-	9	23	-	15	19	-	21	20	-	27	40
-	11	25	-	15	20	-	21	21	-	27	41
-	11	26	-	15	21	-	21	22	-	27	42
-	11	27	-	15	22	-	21	23	-	27	43
-	11	28	-	15	23	-	21	24	-	27	44
-	11	29	-	15	24	-	21	25	-	27	45
-	11	30	-	15	25	-	21	26	-	27	46
-	11	31	-	15	26	-	21	27	-	27	47
-	11	32	-	17	51	-	21	28	-	29	11
-	11	33	-	17	52	-	21	29	-	29	12
-	11	34	-	17	53	-	21	30	-	29	13

NUMERICAL INDEX OF PARTS

PART NO	PAGE	REF NO	PART NO	PAGE	REF NO	PART NO	PAGE	REF NO	PART NO	PAGE	REF NO
-	29	14	-	33	29	-	37	19	-	43	8
-	29	15	-	33	30	-	37	20	-	43	9
-	29	16	-	33	31	-	37	21	-	43	10
-	29	17	-	33	32	-	37	22	-	43	11
-	29	18	-	33	33	-	37	23	-	43	12
-	29	19	-	33	34	-	37	24	-	43	13
-	29	20	-	33	35	-	37	25	-	43	14
-	29	21	-	33	36	-	37	26	-	43	15
-	29	22	-	33	37	-	37	27	-	43	16
-	29	23	-	33	38	-	37	28	-	43	17
-	29	24	-	33	39	-	37	29	-	43	18
-	29	25	-	33	40	-	37	30	-	43	19
-	29	26	-	35	9	-	37	31	-	43	20
-	29	27	-	35	10	-	37	32	-	43	21
-	29	28	-	35	11	-	37	33	-	43	22
-	29	29	-	35	12	-	37	34	-	43	23
-	29	30	-	35	13	-	37	35	-	43	24
-	29	31	-	35	14	-	39	8	-	43	25
-	29	32	-	35	15	-	39	9	-	43	26
-	29	33	-	35	16	-	39	10	-	43	27
-	29	34	-	35	17	-	39	11	-	43	28
-	29	35	-	35	18	-	39	12	-	43	29
-	29	36	-	35	19	-	39	13	-	43	30
-	29	37	-	35	20	-	39	14	-	43	31
-	29	38	-	35	21	-	39	15	-	43	32
-	29	39	-	35	22	-	39	16	-	43	33
-	29	40	-	35	23	-	39	17	-	43	34
-	29	41	-	35	24	-	39	18	-	43	35
-	29	42	-	35	25	-	39	19	-	43	36
-	29	43	-	35	26	-	39	20	-	45	6
-	29	44	-	35	27	-	39	21	-	45	7
-	29	45	-	35	28	-	39	22	-	45	8
-	29	46	-	35	29	-	39	23	-	45	9
-	29	47	-	35	30	-	39	24	-	45	10
-	29	48	-	35	31	-	39	25	-	45	11
-	29	49	-	35	32	-	39	26	-	45	12
-	31	12	-	35	33	-	39	27	-	45	13
-	31	13	-	35	34	-	39	28	-	45	14
-	31	14	-	35	35	-	39	29	-	45	15
-	31	15	-	35	36	-	39	30	-	45	16
-	31	16	-	35	37	-	39	31	-	45	17
-	31	17	-	35	38	-	39	32	-	45	18
-	31	18	-	35	39	-	39	33	-	45	19
-	31	19	-	35	40	-	39	34	-	46	5
-	31	20	-	35	41	-	39	35	-	46	6
-	31	21	-	35	42	-	41	8	-	46	7
-	31	22	-	35	43	-	41	9	-	47	5
-	31	23	-	35	44	-	41	10	-	47	6
-	31	24	-	35	45	-	41	11	-	47	7
-	31	25	-	35	46	-	41	12	-	47	8
-	31	26	-	35	47	-	41	13	-	47	9
-	31	27	-	35	48	-	41	14	-	48	15
-	31	28	-	35	49	-	41	15	-	48	16
-	31	29	-	35	50	-	41	16	-	48	17
-	31	30	-	35	51	-	41	17	-	48	18
-	31	31	-	35	52	-	41	18	-	48	19
-	31	32	-	35	53	-	41	19	-	48	20
-	33	11	-	35	54	-	41	20	-	48	21
-	33	12	-	35	55	-	41	21	-	48	22
-	33	13	-	35	56	-	41	22	-	48	23
-	33	14	-	35	57	-	41	23	-	48	24
-	33	15	-	35	58	-	41	24	-	48	25
-	33	16	-	35	59	-	41	25	-	48	26
-	33	17	-	35	60	-	41	26	-	48	27
-	33	18	-	37	8	-	41	27	-	48	28
-	33	19	-	37	9	-	41	28	-	48	29
-	33	20	-	37	10	-	41	29	-	48	30
-	33	21	-	37	11	-	41	30	-	49	1
-	33	22	-	37	12	-	41	31	-	49	2
-	33	23	-	37	13	-	41	32	-	49	3
-	33	24	-	37	14	-	41	33	-	49	4
-	33	25	-	37	15	-	41	34	-	-	-
-	33	26	-	37	16	-	41	35	*****	17	33
-	33	27	-	37	17	-	41	36	*****	17	42
-	33	28	-	37	18	-	41	37	*****	17	49

NUMERICAL INDEX OF PARTS

PART NO	PAGE	REF NO	PART NO	PAGE	REF NO	PART NO	PAGE	REF NO	PART NO	PAGE	REF NO
*****	19	15	700-00274	33	5	700-00500	3	67	700-00609	5	21
*****	29	2	700-00276	27	9	700-00500	3	72	700-00609	5	36
*****	29	4	700-00282	27	12	700-00500	5	14	700-00609	5	51
*****	29	5	700-00304	3	13	700-00500	5	29	700-00626	17	23
*****	33	8	700-00304	3	27	700-00500	5	44	700-00627	17	24
*****	33	9	700-00304	3	41	700-00500	5	59	700-00652	17	26
			700-00304	3	56	700-00501	19	9	700-00660	11	19
700-00131	11	18	700-00304	3	70	700-00505	3	10	700-00673	33	6
700-00146	35	6	700-00305	33	1	700-00505	3	24	700-00675	35	1
700-00150	29	8	700-00312	35	3	700-00505	3	38	700-00697	23	1
700-00151	29	7	700-00335	17	37	700-00505	3	53	700-00702	11	1
700-00152	29	9	700-00336	17	35	700-00505	3	68	700-00706	46	2
700-00160	35	4	700-00338	45	2	700-00505	5	4	700-00722	11	21
700-00162	27	11	700-00344	27	5	700-00505	5	19	700-00723	11	5
700-00163	17	8	700-00345	27	7	700-00505	5	34	700-00724	11	6
700-00164	17	3	700-00347	31	6	700-00505	5	49	700-00725	11	3
700-00165	17	5	700-00349	27	4	700-00505	17	28	700-00727	11	4
700-00166	17	16	700-00351	23	7	700-00505	21	12	700-00731	29	1
700-00167	17	20	700-00366	11	23	700-00506	11	7	700-00735	3	12
700-00168	17	21	700-00372	27	3	700-00506	21	8	700-00735	3	26
700-00169	17	17	700-00380	21	2	700-00508	23	4	700-00735	3	40
700-00170	17	12	700-00380	23	6	700-00509	29	3	700-00735	3	55
700-00171	17	15	700-00387	25	11	700-00510	31	7	700-00735	3	69
700-00173	17	1	700-00389	25	3	700-00511	21	6	700-00735	5	12
700-00174	17	10	700-00390	25	4	700-00512	27	6	700-00735	5	27
700-00175	21	4	700-00391	25	2	700-00513	17	9	700-00735	5	42
700-00176	33	7	700-00392	25	7	700-00513	17	22	700-00735	5	57
700-00180	37	1	700-00393	25	9	700-00515	19	20	700-00740	27	15
700-00180	39	1	700-00394	25	8	700-00516	17	34	700-00742	11	9
700-00180	41	1	700-00395	25	6	700-00517	31	10	700-00744	11	13
700-00180	43	1	700-00398	25	1	700-00518	19	10	700-00746	11	10
700-00181	37	2	700-00399	31	8	700-00520	35	2	700-00747	11	20
700-00181	39	2	700-00400	31	9	700-00522	19	17	700-00748	19	5
700-00181	41	2	700-00405	21	10	700-00525	21	9	700-00751	21	5
700-00181	43	2	700-00406	21	1	700-00525	23	9	700-00758	47	1
700-00195	19	12	700-00419	5	5	700-00531	21	3	700-00759	47	2
700-00196	19	13	700-00419	5	20	700-00531	23	8	700-00790	3	1
700-00197	19	7	700-00419	5	35	700-00533	35	7	700-00791	3	15
700-00198	19	8	700-00419	5	50	700-00537	5	10	700-00792	3	29
700-00199	21	7	700-00420	5	9	700-00537	5	25	700-00793	3	58
700-00200	19	11	700-00420	5	39	700-00537	5	40	700-00794	5	1
700-00203	17	48	700-00444	46	1	700-00537	5	55	700-00795	5	16
700-00204	17	45	700-00450	27	8	700-00538	3	14	700-00796	5	31
700-00210	17	29	700-00452	25	5	700-00538	3	28	700-00797	5	46
700-00211	17	43	700-00469	17	39	700-00538	3	42	700-00812	19	14
700-00212	17	46	700-00473	23	3	700-00538	3	57	700-00819	3	44
700-00213	17	47	700-00474	23	5	700-00538	3	71	700-00820	11	12
700-00214	17	41	700-00475	23	2	700-00538	5	13	700-00822	17	6
700-00215	37	6	700-00480	5	3	700-00538	5	28	700-00823	17	13
700-00215	39	6	700-00480	5	18	700-00538	5	43	700-00824	17	30
700-00215	41	6	700-00480	5	33	700-00538	5	58	700-00825	17	31
700-00215	43	6	700-00480	5	48	700-00549	17	7	700-00826	17	32
700-00216	37	5	700-00481	11	11	700-00551	11	22	700-00827	17	40
700-00216	39	5	700-00484	45	4	700-00555	17	19	700-00832	17	2
700-00216	41	5	700-00489	9	1	700-00559	17	14	700-00833	17	11
700-00216	43	5	700-00495	27	2	700-00568	27	14	700-00835	19	19
700-00217	37	4	700-00496	3	68	700-00569	11	14	700-00836	19	2
700-00217	39	4	700-00496	5	8	700-00570	11	15	700-00837	19	3
700-00217	41	4	700-00496	5	23	700-00571	25	10	700-00838	21	11
700-00217	43	4	700-00496	5	38	700-00572	17	27	700-00843	31	4
700-00218	37	3	700-00496	5	53	700-00572	29	6	700-00847	48	5
700-00218	39	3	700-00497	17	36	700-00573	11	16	700-00848	48	7
700-00218	41	3	700-00497	17	38	700-00577	11	17	700-00849	48	6
700-00218	43	3	700-00498	17	4	700-00597	11	8	700-00850	48	9
700-00222	11	2	700-00498	17	18	700-00598	17	25	700-00851	17	44
700-00229	31	5	700-00498	19	4	700-00601	27	1	700-00852	48	12
700-00230	31	2	700-00499	5	11	700-00602	27	13	700-00853	48	11
700-00234	31	3	700-00499	5	26	700-00604	33	2	700-00854	45	3
700-00235	31	1	700-00499	5	41	700-00605	33	4	700-00855	3	3
700-00244	19	16	700-00499	5	56	700-00606	5	15	700-00856	3	80
700-00245	19	1	700-00500	3	9	700-00606	5	30	700-00857	3	17
700-00252	19	18	700-00500	3	23	700-00606	5	45	700-00859	3	5
700-00265	45	1	700-00500	3	37	700-00606	5	60	700-00859	3	19
700-00268	19	6	700-00500	3	43	700-00607	33	3	700-00859	3	33
700-00273	35	5	700-00500	3	52	700-00609	5	6	700-00859	3	48

NUMERICAL INDEX OF PARTS

PART NO	PAGE	REF NO	PART NO	PAGE	REF NO	PART NO	PAGE	REF NO	PART NO	PAGE	REF NO
700-00859	3	61									
700-00860	3	6									
700-00860	3	20									
700-00860	3	34									
700-00860	3	49									
700-00860	3	62									
700-00861	3	7									
700-00861	3	21									
700-00861	3	35									
700-00861	3	50									
700-00862	3	4									
700-00862	3	18									
700-00862	3	32									
700-00862	3	47									
700-00883	5	24									
700-00883	5	54									
700-00864	3	64									
700-00865	48	1									
700-00866	47	3									
700-00867	48	2									
700-00868	3	2									
700-00868	3	45									
700-00869	3	16									
700-00869	3	30									
700-00870	5	32									
700-00871	5	37									
700-00872	3	59									
700-00873	5	47									
700-00874	5	22									
700-00874	5	52									
700-00875	5	2									
700-00876	5	7									
700-00877	3	11									
700-00877	3	25									
700-00877	3	39									
700-00877	3	54									
700-00879	3	8									
700-00879	3	22									
700-00879	3	36									
700-00879	3	51									
700-00880	3	65									
700-00881	3	63									
700-00882	3	31									
700-00883	27	10									
700-00884	46	3									
700-00885	48	8									
700-00886	48	10									
700-00887	48	3									
700-00888	48	4									
700-00889	48	13									
700-00890	5	17									
700-00891	3	46									

**JUKI®**

**JUKI CORPORATION**

SEWING MACHINERY BUSINESS UNIT  
2-11-1, TSURUMAKI, TAMA-SHI,  
TOKYO, 206-8551, JAPAN  
PHONE:(81)42-357-2371  
FAX:(81)42-357-2380

Copyright© 2011 JUKI CORPORATION  
All rights reserved throughout the world.

To order or for further  
information,  
please contact:

\*The description covered in this parts list is subject to change for improvement of the commodity without notice.  
\*This parts list is edited in accordance with the product specifications as of September 2011.

Printed in China